

TENSION FABRIC LIGHT BOX



Fabric light box is based on a textile print combined with an aluminum frame. Which are easy to assemble and offer a wide range of uses. The various frames are supplied single or double sided and with or without lighting. Which can be placed free-standing anywhere in a room or attached to any wall.



Fabric light box



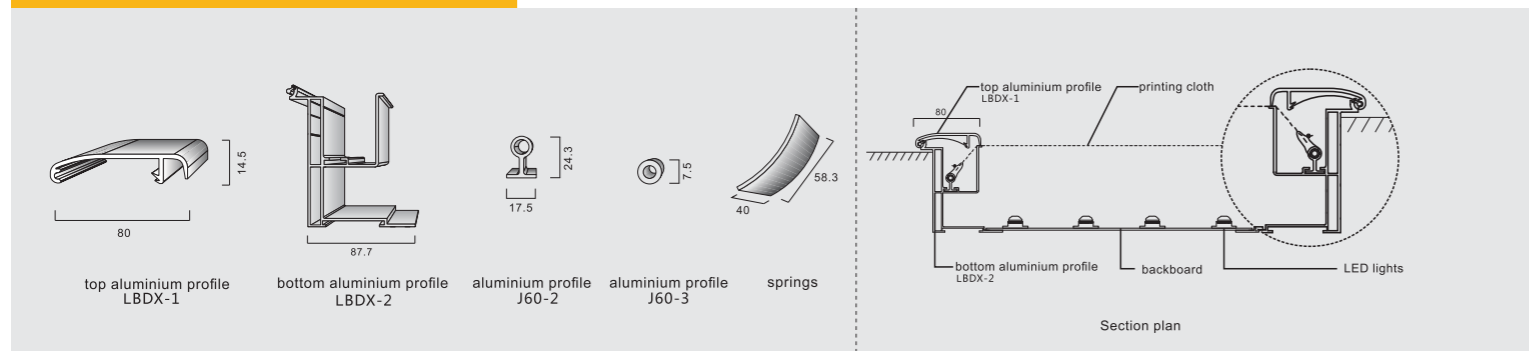
Fabric light boxes are popular used for airport, station, subway, metro, catering industry, shopping mall, exhibition, stadium and gymnasium, No size limit for using indoor or outdoor.

Fabric light box

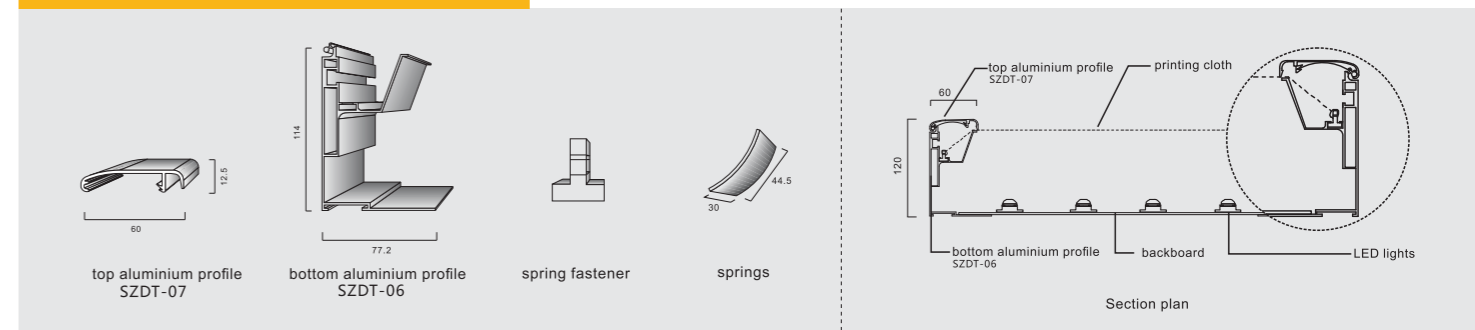


Fabric light boxes are widely used for billboard advertising, hotel, rail way station, bus station, lift, bank, Commercial center, wedding photograph, large exhibition, mobile show, chain-store, restaurant, fast-food canteen. Frameless Light Boxes are very easy to assemble and disassemble, making them convenient to transport.

Profiles with accessories



Profiles with accessories



Structure drawing



Backlit Fabric Light box
 Frame: anodized silver or painted snap openable aluminum frame
 Type: Single side, Wall mounting, Ceiling Hanging etc.
 Certification: ISO 9001: 2008, CE, FCC, RoHS, UL, CUL, SASO, etc.

Structure drawing

- There are only a few steps needed to assemble a Frameless Light Box:
- *The aluminium frame is constructed using a simple connector system that fasten the sides together.
- *The LED light modules slide into the side grooves and tighten using screws and an allen wrench.
- *The backlit fabric is stretched taught and tucked into the frame's groove.



SLIM LIGHT BOX



Magnetic Type Light Box



Magnetic LED light boxes are used for any commercial area and urban construction facilities, including commercial centers, supermarkets, banks, chain stores, hotels, restaurants, airports, railway stations and other indoor places.

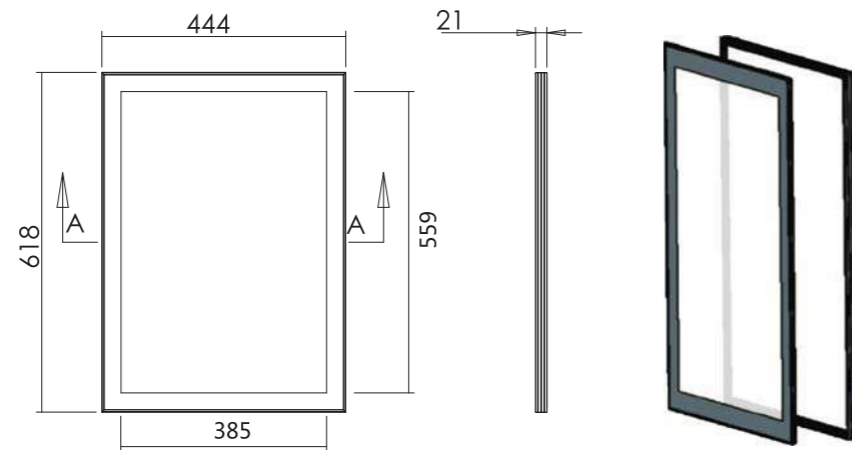


Magnetic type light box

Single Side

AF12A

- ※ Open mode:magnetic type, To open light box front plate with cupule to change image.
- ※ package:bubble bag, cartons, plus plywood frame for seafreight.
- ※ Structure:the Edgelight LGP, aluminum frame, SMD LED light source
- ※ Frame color:oxidated alloy aluminum ,other colors can be customized.
- ※ Easy installation,safe and simple to use.
- ※ Input voltage:12v/24v
- ※ Visible surface:Single
- ※ Suitable size:Small and medium
- ※ Power:12w-120w



Voltage	LED strips type	Current/unit	Power/m
12V	FLS-1W4	60mA	12W/m
24V	ALS-1W8	30mA	22W/m

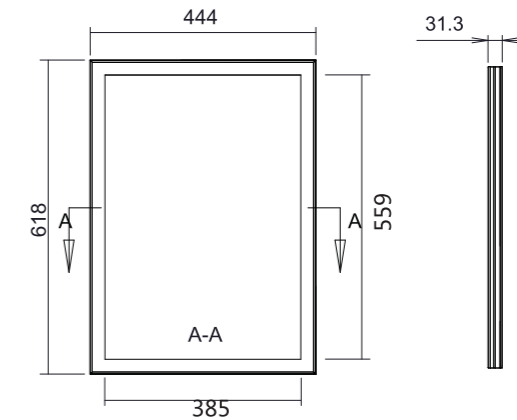
Item	Frame size	Viewing size	Thickness	Film size mm	Packaging size cm	Volume m ³	Gross weight kg		
AF12A	LED	1800x1200mm	1741x1141mm	21mm	1776*1177	186*9*126	0.21	44	
		A0	1213x865mm		1154x806mm	1189*841	134*9*102	0.12	21
		A1	618x865mm		559x806mm	594*841	100*9*77	0.07	13
		A2	444x618mm		385x559mm	420*594	73*9*57	0.04	10
		A3	321x444mm		262x385mm	297*420	58*9*46	0.02	4
		A4	321x234mm		262x175mm	297*210	50*5*30	0.01	3
Lift span	LED-50000	Above 50000h							

Magnetic type light box

Double Side

AF9A

- ※ Open mode:magnetic type, To open light box front plate with cupule to change image.
- ※ package:bubble bag, cartons, plus plywood frame for seafreight.
- ※ Structure:the Edgelight LGP, aluminum frame, SMD LED light source
- ※ Frame color:oxidated alloy aluminum ,other colors can be customized.
- ※ Easy installation,safe and simple to use.
- ※ Input voltage:12v/24v
- ※ Visible surface:Double
- ※ The width of border:25mm
- ※ Suitable size:Small and medium
- ※ Power:12w-120w



Voltage	LED strips type	Current/unit	Power/m
12V	FLS-1W4	60mA	12W/m
24V	ALS-1W8	30mA	22W/m

Item	Frame size	Viewing size	Thickness	Film size mm	Packaging size cm	Volume m ³	Gross weight kg		
AF9A	LED	1800x1200mm	1741x1141mm	31.3mm	1776*1177	186*9*126	0.21	44	
		A0	1213x865mm		1154x806mm	1189*841	134*9*102	0.12	21
		A1	618x865mm		559x806mm	594*841	100*9*77	0.07	13
		A2	444x618mm		385x559mm	420*594	73*9*57	0.04	10
		A3	321x444mm		262x385mm	297*420	58*9*46	0.02	4
		A4	321x234mm		262x175mm	297*210	50*5*30	0.01	3
Lift span	LED-50000	Above 50000h							

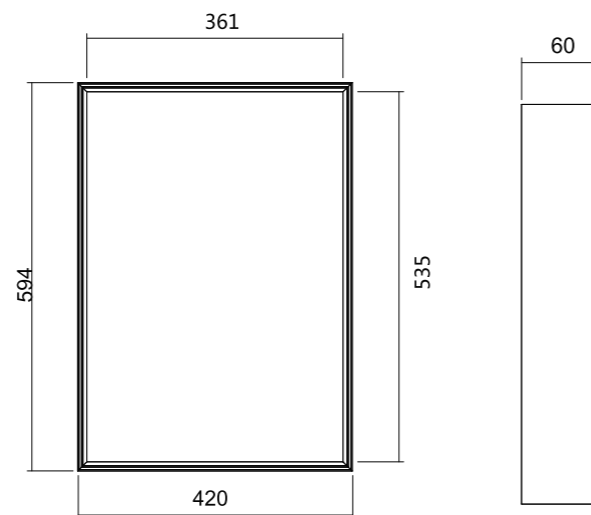


Magnetic type light box

Double Side

AF56

- ※ Open mode:magnetic type,To open light box front plate with cupule to change image.
- ※ package:bubble bag,cartons,plus plywood frame for seafreight.
- ※ Only Edgemax high-power LED strip
- ※ Frame color:oxidated alloy aluminum ,other colors can be customized.
- ※ Easy installation,safe and simple to use.
- ※ Input voltage:12v/24v
- ※ Visible surface:Double
- ※ Suitable size:Small and medium
- ※ Power:12w-120w



Voltage	LED strips type	Current/unit	Power/Unit
12V	EM-W17	333mA	2.66W
24V	WEM-W17	333mA	2.66W

Item	Frame size mm	Viewing size mm	Thickness	Film size mm	Packaging size cm	Volume m³	Gross weight kg		
AF56	LED		1800x1200	1714x1141	60mm	1776x1177	186x9x126	0.21	44
		A0	1213x895	1154x806		1189x841	134x9x102	0.12	21
		A1	618x865	559x806		594x841	100x9x77	0.07	13
		A2	444x618	385x559		420x594	73x9x57	0.04	10
		A3	321x444	262x385		297x420	58x9x46	0.02	4
		A4	321x234	262x173		297x210	50x5x30	0.01	3
Lift span	LED-50000		Above 50000h						

Clip Type Light Box



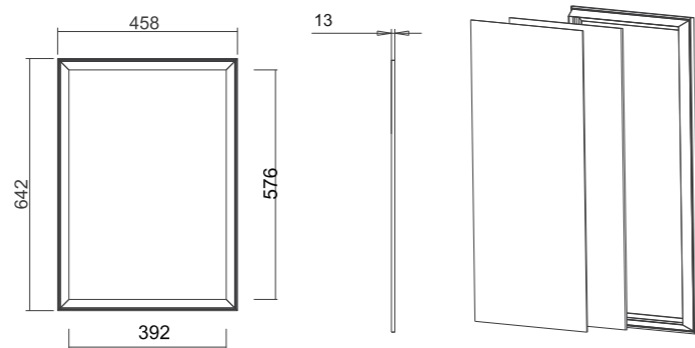
Slim light box can be used in wedding photographic studio,home decorative. Indoor or outdoorsign board. Large exhibition or promotion show, airport,subway,bus stop for advertising.

Clip type light box

Single Side

AF14A

- ※ Open mode: open the four covers, take down front plate to change image.
- ※ Suitable size: medium and small
- ※ Package: bubble bag, cartons, plus plywood frame for seafreight.
- ※ Structure: the Edgelight LGP, aluminum frame, SMD LED/T5 light source
- ※ Frame color: oxidated alloy aluminum, other colors can be customized.
- ※ Easy installation, safe and simple to use.
- ※ Input voltage: 12V/24V
- ※ The width of border: 33mm
- ※ Visible surface: Single
- ※ Power: 12w-120w



Voltage	LED strips type	Current/unit	Power/m
12V	FLS-1W4	60mA	12W/m
24V	FLS-1W4	25mA	10W/m

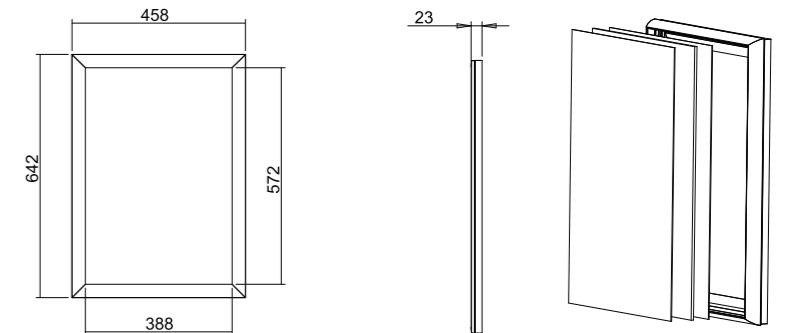
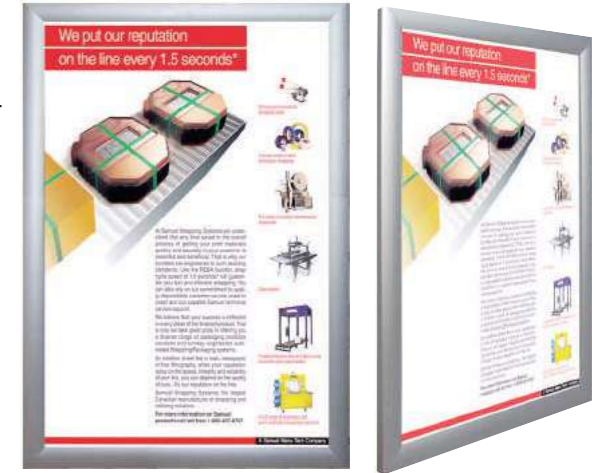
Item	Frame size	Viewing size	Thickness	Film size mm	Packaging size cm	Volume m ³	Gross weight kg		
AF14A	LED	B1	1036x745mm	970x679mm	13mm	986*695	114*9*85	0.09	7.4
		B2	743x538mm	677x472mm		693*488	84*9*65	0.05	3.8
		A0	1227x889mm	1161x823mm		1177*839	134*9*102	0.12	10.4
		A1	889x632mm	823x566mm		829*582	100*9*77	0.07	5.2
		A1	632x889mm	566x823mm		582*839	100*9*77	0.07	5.2
		A2	642x458mm	576x392mm		592*408	73*9*57	0.04	2.6
		A2	458x642mm	392x576mm		408*592	73*9*57	0.04	2.6
		A3	468x335mm	402x269mm		418*285	58*9*46	0.02	1.6
		A3	335x468mm	269x402mm		285*418	58*9*46	0.02	1.6
		A4	345x248mm	279x182mm		295*198	50*5*30	0.01	1.1
Lift span	LED-50000	Above 50000h							

Clip type light box

Single Side

AF13

- ※ Open mode: open the four covers, take down front plate to change image.
- ※ Suitable size: medium and small
- ※ Package: bubble bag, cartons, plus plywood frame for seafreight.
- ※ Structure: the Edgelight LGP, aluminum frame, SMD LED light source
- ※ Frame color: oxidated alloy aluminum, other colors can be customized.
- ※ Easy installation, safe and simple to use.
- ※ Input voltage: 12V/24V
- ※ The width of border: 35mm
- ※ Visible surface: Single
- ※ Power: 12w-120w



Voltage	LED strips type	Current/unit	Power/m
12V	FLS-1W4	60mA	12W/m
24V	ALS-1W8	30mA	22W/m

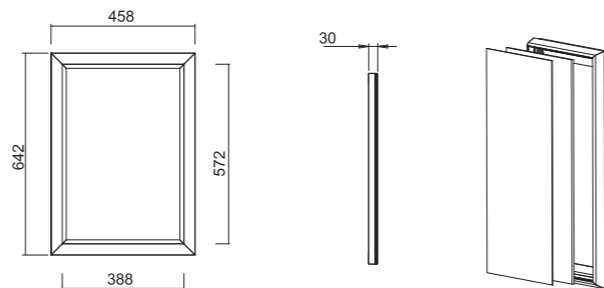
Item	Frame size	Viewing size	Thickness	Film size mm	Packaging size cm	Volume m ³	Gross weight kg		
AF13	LED	B0	1452x1048mm	1382x978mm	23mm	1414*1000	162*9*121	0.18	23
		B1	1038x755mm	968x685mm		1000*707	114*9*85	0.09	11.9
		B2	745x548mm	674x478mm		707*500	84*9*65	0.05	6.5
		A0	1227x889mm	1157x819mm		1189*841	134*9*102	0.12	15.8
		A1	632x889mm	562x819mm		841*594	100*9*77	0.07	9.3
		A2	458x642mm	388x572mm		594*420	73*9*57	0.04	6.2
		A3	335x468mm	265x398mm		420*297	50*5*30	0.02	3.5
		A4	248x345mm	178x275mm		297*210	50*5*30	0.01	2.5
		Lift span	LED-5000	Above 50000h					

Clip type light box

Single Side

AF2A

- ※ Open type: open four covers of the box, take down front plate and, then replace picture
- ※ Suitable size: large and medium
- ※ Package: bubble bag, cartons, adding plywood frame for seafreight.
- ※ Structure: the Edgelight LGP, aluminum frame, SMD LED light source
- ※ Frame color: oxidated alloy aluminum, other colors can be customized.
- ※ Visible surface: Single
- ※ Power: 12w-120w
- ※ The width of border: 35mm
- Input voltage: 12v/24v



Voltage	LED strips type	Current/unit	Power/m
12V	FLS-1W4	60mA	12W/m
24V	ALS-1W8	30mA	22W/m

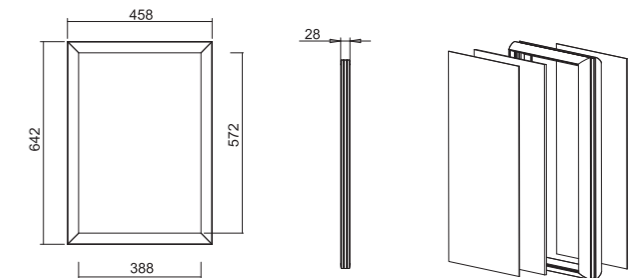
Item	Frame size	Viewing size	Thickness	Film size mm	Packaging size cm	Volume m ³	Gross weight kg		
AF2A	3000x1500	2930x1430	30mm	2943x1433	306x9x156	0.35	60		
	2400x1200	2330x1130		2343x1133	246x9x126	0.28	40		
	1800x1200	1730x1130		1743x1133	186x9x126	0.21	32		
	B0	1452x1048		1382x978	1414x133	162x9x121	0.18	30.3	
	B1	1038x755		968x685	100x707	114x9x85	0.08	15.7	
	B2	745x548		674x478	707x500	84x9x65	0.05	8.45	
	A0	1227x889		1157x819	1189x841	134x9x102	0.12	21.2	
	A1	632x889		562x819	841x594	100x9x77	0.07	12.2	
	A2	458x642		388x572	594x420	73x9x57	0.04	7.7	
	A3	335x468		265x398	420x297	58x9x46	0.02	4.3	
	Lift span	LED-50000		Above 50000h					

Clip type light box

Double Side

AF15

- ※ Open mode: Open the covers, take down front plate to change image.
- ※ Suitable size: medium and small
- ※ Package: bubble bag, cartons, plus plywood frame for seafreight.
- ※ Structure: the Edgelight LGP, aluminum frame, SMD LED light source
- ※ Frame color: oxidated alloy aluminum, other colors can be customized.
- ※ Easy installation, safe and simple to use.
- ※ Input voltage: 12V/24V
- ※ The width of border: 35mm
- ※ Visible surface: Double
- ※ Power: 12w-120w



Voltage	LED strips type	Current/unit	Power/m
12V	FLS-1W4	60mA	12W/m
24V	ALS-1W8	30mA	22W/m

Item	Frame size	Viewing size	Thickness	Film size mm	Packaging size cm	Volume m ³	Gross weight kg			
AF15	LED	B0	1452x1048mm	1382x978mm	28mm	1414*1000	162*9*121	0.18	25.1	
		B1	1038x755mm	968x685mm		1000*707	114*9*85	0.09	13	
		B2	745x548mm	675x478mm		707*500	84*9*65	0.05	6.8	
		A0	1227x889mm	1157x819mm		1189*841	134*9*102	0.12	17.7	
		A1	889x632mm	819x562mm		841*594	100*9*77	0.07	10.4	
		A1	632x889mm	562x819mm		594*841	100*9*77	0.07	10.4	
		A2	642x458mm	572x388mm		594*420	73*9*57	0.04	6.9	
		A2	468x642mm	388x572mm		420*594	73*9*57	0.04	6.9	
		A3	468x335mm	398x265mm		420*297	58*9*46	0.02	4.7	
		A3	335x463mm	265x398mm		297*420	58*9*46	0.02	4.7	
		A4	345x248mm	275x178mm		210*297	58*9*46	0.01	2.8	
		Lift span	LED-50000	Above 50000h						

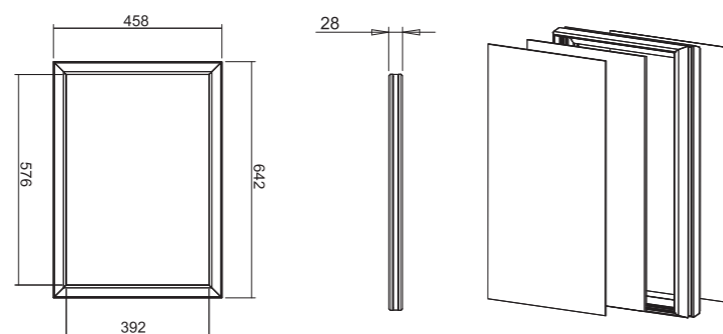


Clip type light box

Double Side

AF17

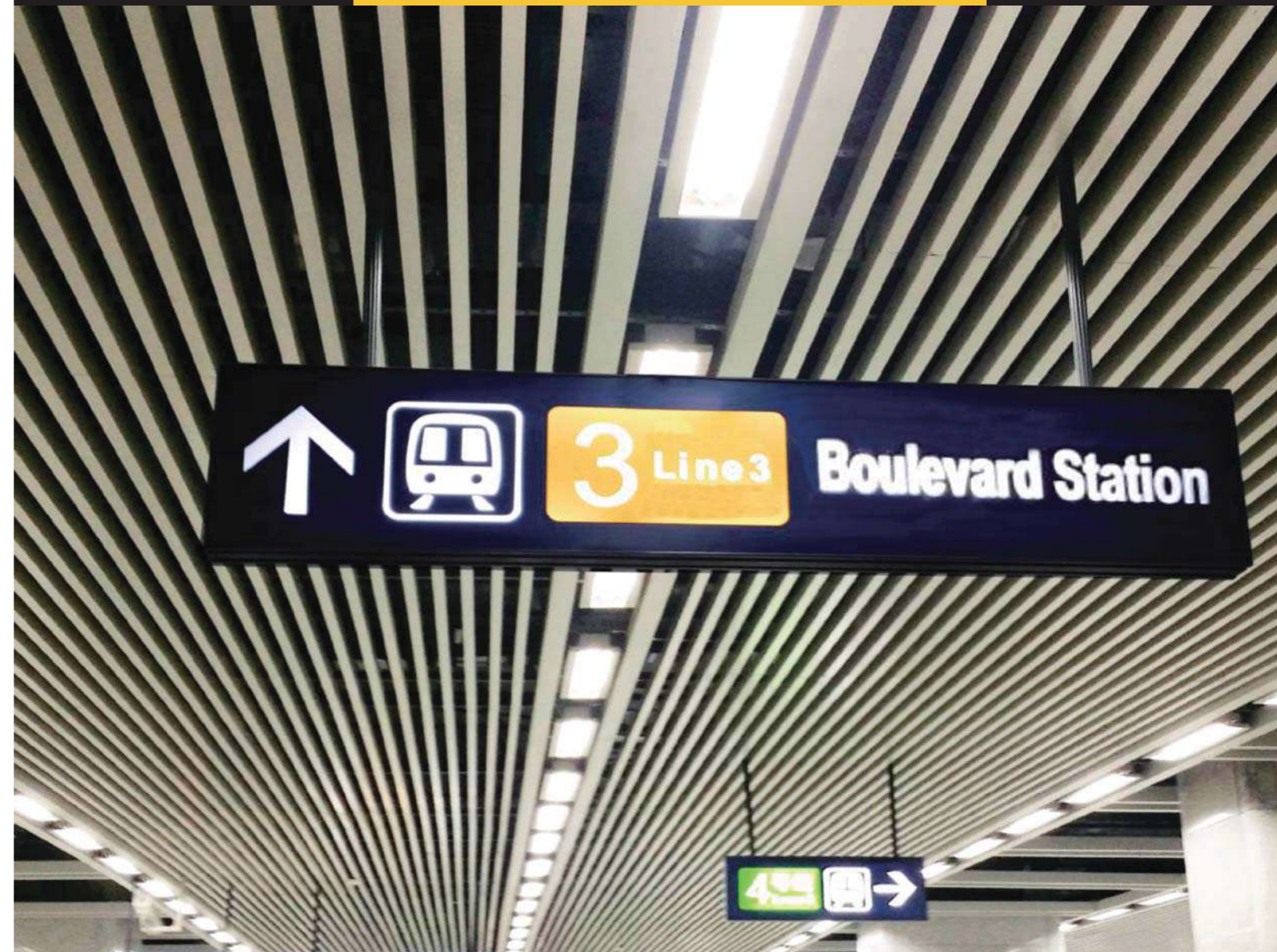
- ※ Open mode: Clip Open the four covers, take down front plate to change poster
- ※ Suitable size: medium and small
- ※ Package: bubble bag, cartons, sea plus plywood frame for seafreight.
- ※ Structure: the Edgelight LGP, aluminum frame, SMD LED light source
- ※ Frame color: oxidated alloy aluminum, other colors can be customized.
- ※ Easy installation, safe and simple to use.
- ※ Input voltage: 12V/24V
- ※ The width of border: 35mm
- ※ Visible surface: Double
- ※ Power: 12w-120w



Voltage 电压	LED strips type 灯条类型	Current/unit 单灯电流	Power/m 功率/米
12V	FLS-1W4	60mA	12W/m
24V	ALS-1W8	30mA	22W/m

Item 项目	Frame size 外框尺寸	Viewing size 可视尺寸	Thickness 厚度	Film size 画面尺寸/mm	Packaging size 包装尺寸/cm	Volume 体积/m³	Gross weight 毛重/kg		
AF17	LED	B0	28mm	1414*1000	162*9*121	0.18	25.1		
		B1		1038*755	114*9*85	0.09	13		
		B2		745*548	84*9*65	0.05	6.8		
		A0		1227*889	134*9*102	0.12	17.7		
		A1		889*632	100*9*77	0.07	10.4		
		A1		632*889	100*9*77	0.07	10.4		
		A2		642*458	73*9*57	0.04	6.9		
		A2		468*642	73*9*57	0.04	6.9		
		A3		468*335	58*9*46	0.02	4.7		
		A3		335*463	58*9*46	0.02	4.7		
		A4		345*248	297*182mm	210*297	58*5*30	0.01	2.8
		Lift span 使用寿命		LED-50000小时以上 Above 50000h					

LARGE PROFILE LIGHT BOX



Wayfinding light box is assembled by aluminium frame, acrylic plate. There are suspending, wall mounted, projecting type. Which guide people to the correct direction. They are popular used for airport, railway station, shopping mall, banks.

Large Profile Light Box



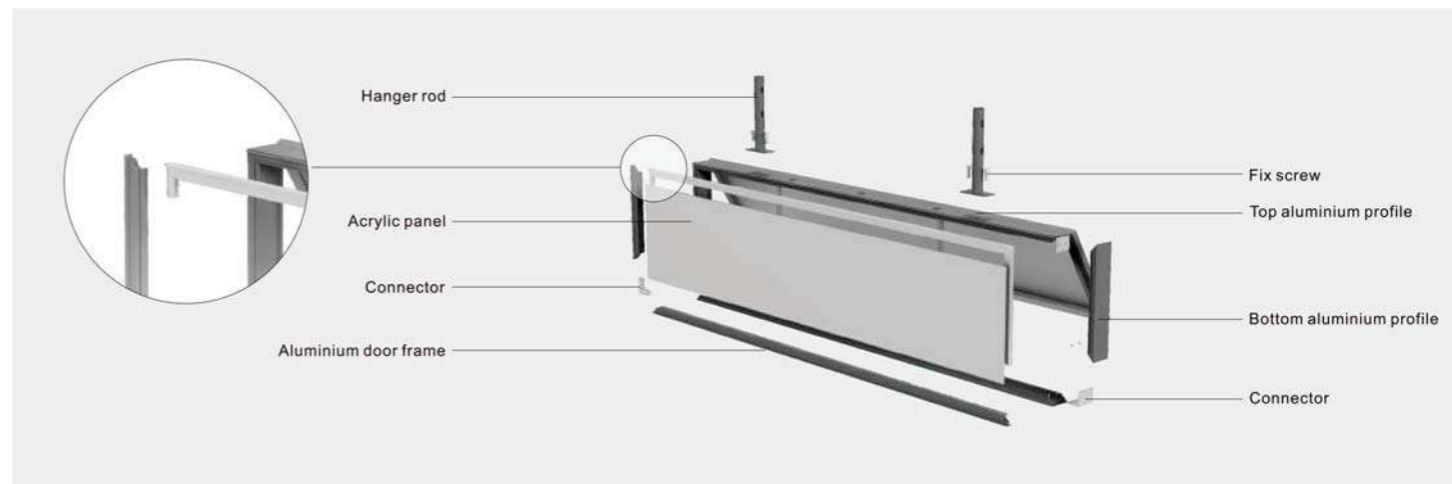
"DW" series of light box is the most widely used light profile tag. The face frame is divided into wide eaves and narrow eaves, box specifications are divided into DW 80, DW 90, DW 120.

Face frame and box can be freely combined to meet the needs of different customers.



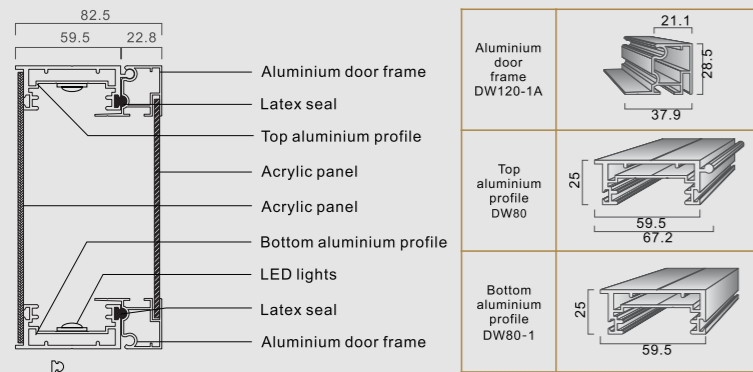
Aluminium Profile & Accessories

Structure



DW 80 Type Light Box

DW 80 wide profile series

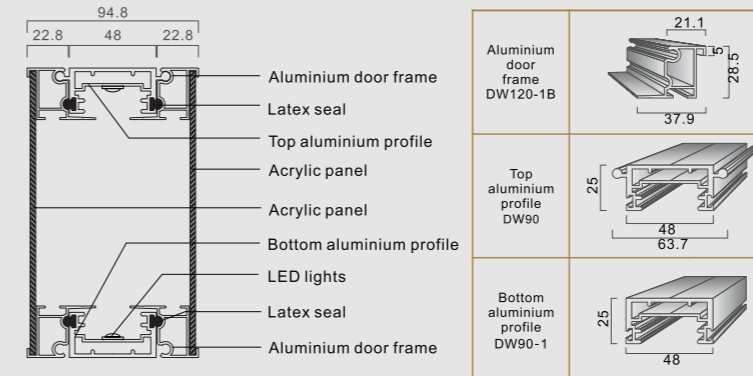


DW 80 wide profile clip type structure



DW 90 Type Light Box

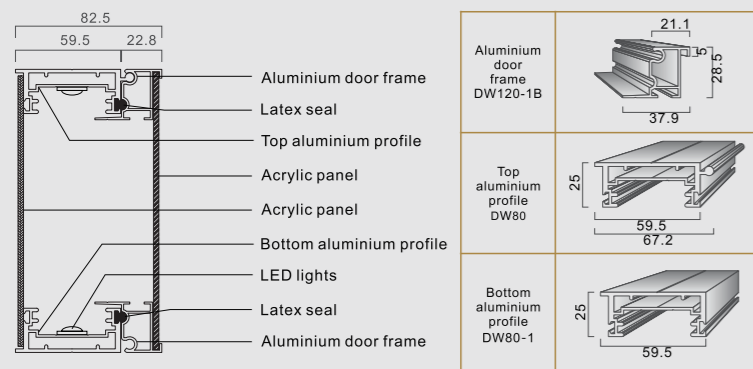
DW 80 slim profile series



DW 90 slim profile clip type structure



DW 80 slim profile series

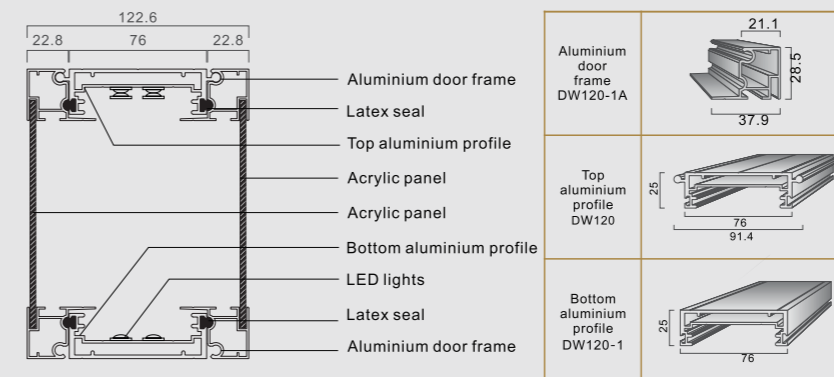


DW 80 slim profile clip type structure



DW 120 Type Light Box

DW 120 wide profile series

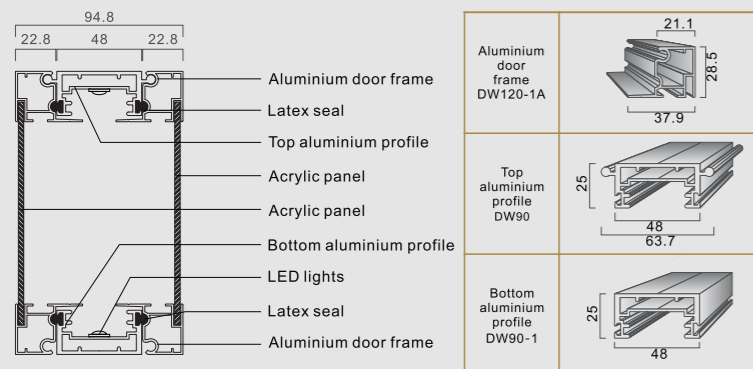


DW 120 wide profile clip type structure



DW 90 Type Light Box

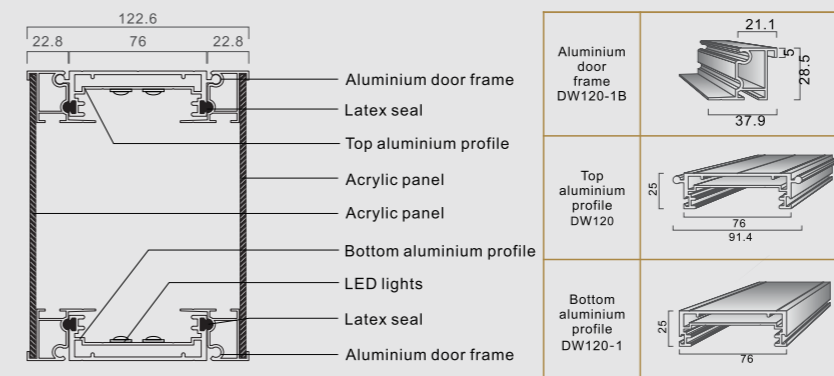
DW 80 wide profile series



DW 90 wide profile clip type structure



DW 120 slim profile series



DW 120 slim profile clip type structure



Other Accessories

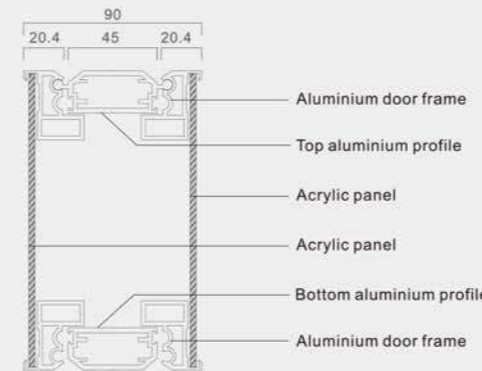
Hanger rod		Aluminium tube		Thread hanger	
Corner		Connector		Latex seal	
Magnetic accessory		Acrylic panel		LED lights	
LED source		Structure tube		Fix screw	
Nut		Radiator			

The "WHD" profile aluminium light box is made of aluminium extrusion, acrylic panel, LED.

They are high quality automotive paint, metallic ink printing. Which are waterproof, anti-dust resistant. They are popular used for airport, railway station, hospital, office, building, shopping mall.

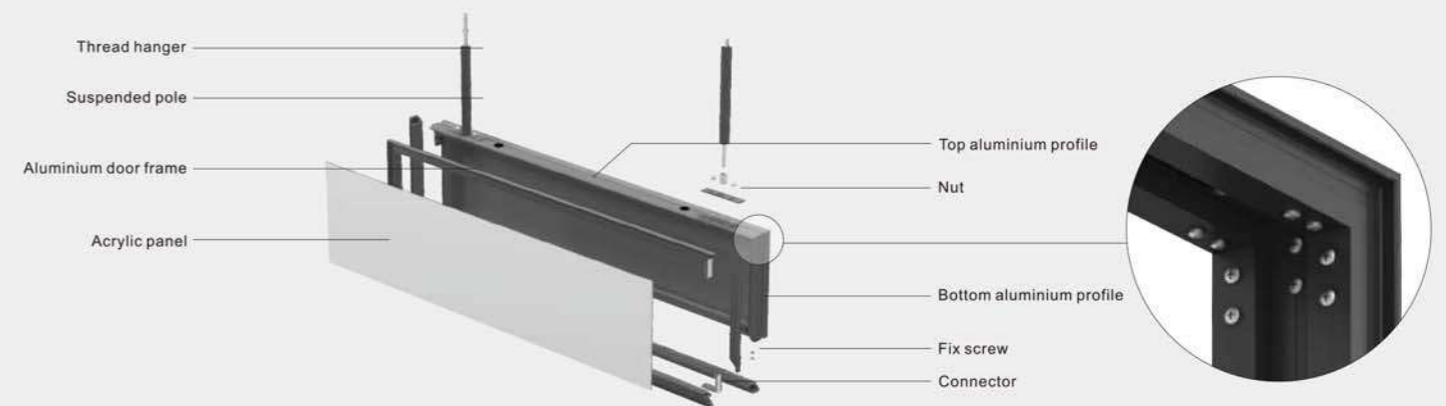


Aluminium Profile & Accessories



Aluminium door frame WHD007	Bottom aluminium profile WHD009	Suspended pole	Acrylic panel
Top aluminium profile WHD008	Connector JK06	Magnetic accessory	Radiator

Structure



FRAMELESS BACKLIT LED LIGHT BOX

Fabric light box



Fabric light box can be used in wedding photographic studio, home decorative

*Indoor or outdoorsign board

*Large exhibition or promotion show

*Airport, subway, bus stop for advertising

Advertising fabric light box

*Visible surface: Single

*Suitable size :All

*Easy installation, safe and simple to use

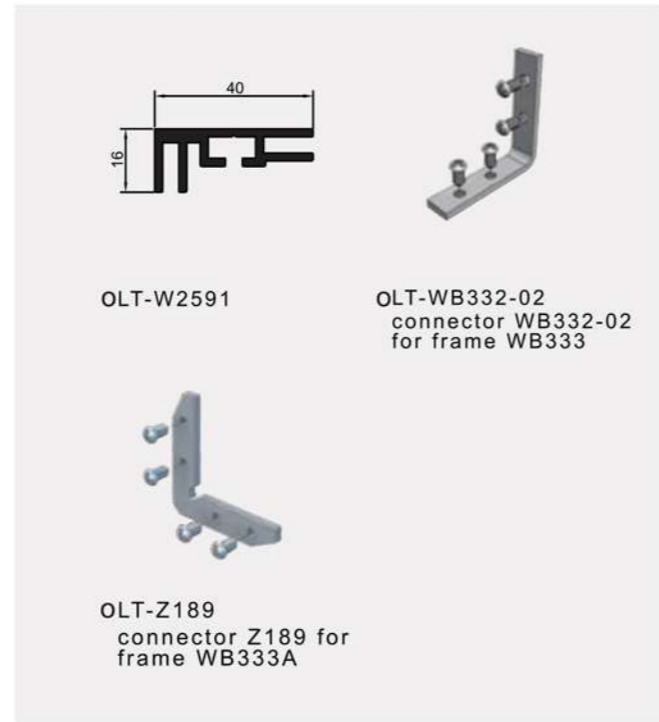
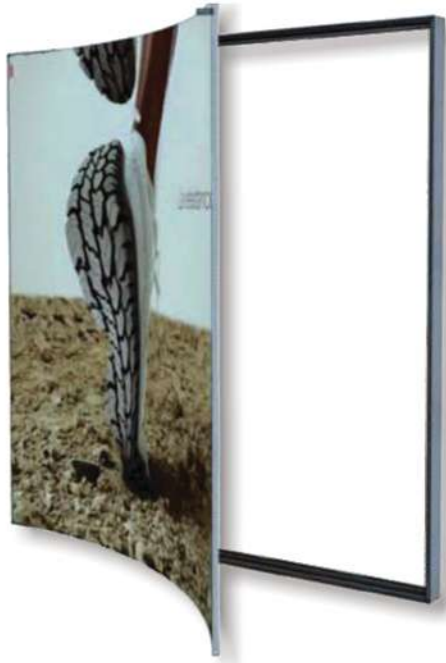
*Operating voltage: LED-12V/24V , Power:12w-120W

*Structure:the Edgelight LGP, aluminum frame, SMD LED light source

*Frame color:oxidated alloy aluminum, other colors can be customized.



OLT-W2591_16



OLT-W2592_16



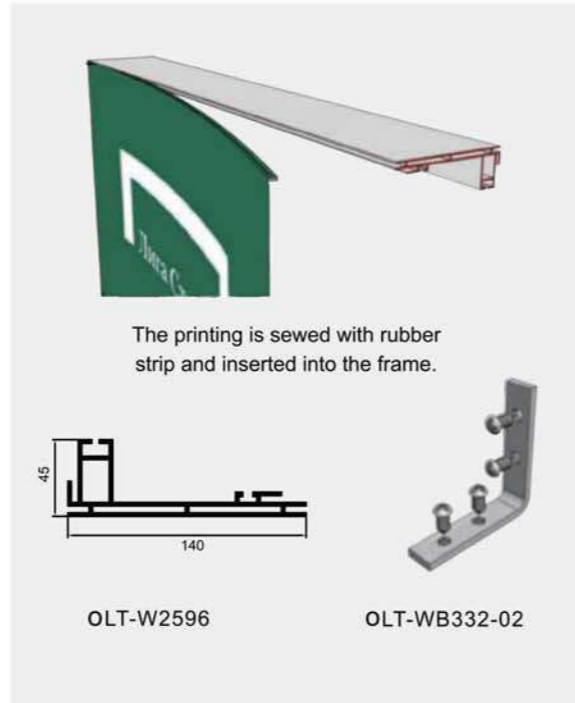
OLT-W2626_60



OLT-W2635_80



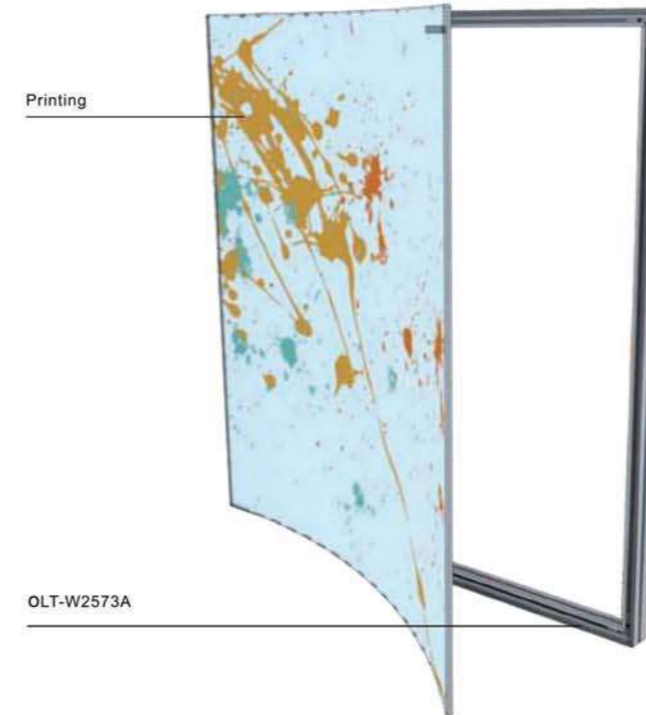
OLT-W2596_140



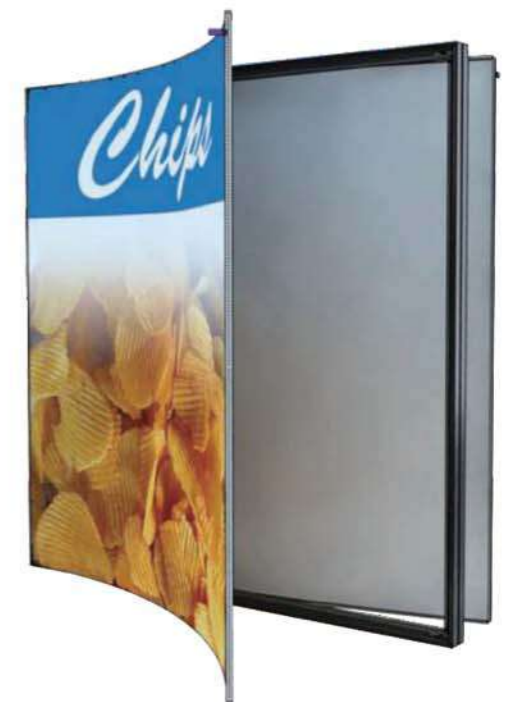
OLT-W2597_140



OLT-W2573A_40



OLT-W2600_40





OLT-W2598



OLT-W2598

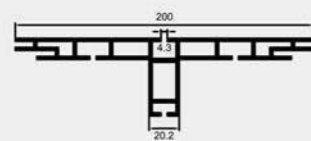


OLT-Z189



Fabric and silicon strip

OLT-W2624_200



OLT-W2624



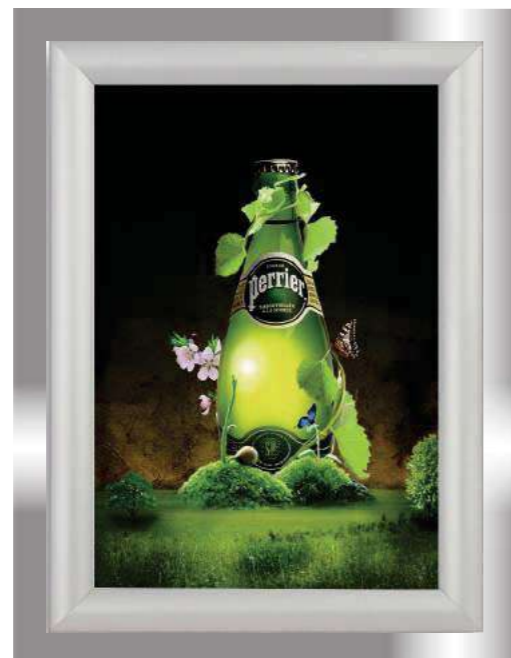
OLT-WB332-02

SNAP FRAME



The Snap Frame products are very basic products in the market and widely used in all promotional events like store, shopping makk, restaurant etc. All are in aluminum material, atable and durable.





25mm	GRAPHIC SIZE	PACKING SIZE	PC/CTN	32mm	GRAPHIC SIZE	PACKING SIZE	PC/CTN
A4 (Rondo/Mitred)	21*29.7cm	36*25*28cm	10	A4 (Rondo/Mitred)	21*29.7cm	37*30*29cm	10
A3 (Rondo/Mitred)	29.7*42cm	48*25*37cm	10	A3 (Rondo/Mitred)	29.7*42cm	49*30*38cm	10
A2 (Rondo/Mitred)	42*59.4cm	48*25*37cm	10	A2 (Rondo/Mitred)	29.7*42cm	49*30*38cm	10
A1 (Rondo/Mitred)	59.4*84.1cm	90*13.5*66cm	5	A1 (Rondo/Mitred)	59.4*84.1cm	91.5*16*68cm	5
A0 (Rondo/Mitred)	84.1*118.9cm	125*13.5*91cm	5	A0 (Rondo/Mitred)	84.1*118.9cm	126.5*10*92cm	3
B2 (Rondo/Mitred)	50*70cm	76*25*57cm	10	B2 (Rondo/Mitred)	50*70cm	77.5*30*58cm	10
B1 (Rondo/Mitred)	70*100cm	106*13.5*77cm	5	B1 (Rondo/Mitred)	70*100cm	107*16*78cm	5
B0 (Rondo/Mitred)	100*140cm	125*13.5*91cm	5	B0 (Rondo/Mitred)	100*140cm	147.5*10*108cm	3

Poster-Board



Snap frame-20MM/25MM/30MM/32MM/45MM



Poster-Board CR-10G



TIP: Standard 32mm profile , plastic corner

Size: A1
 Graphic Size: 2-59.4*84.1cm(A1)
 Packing Size: 102*6. 5*67cm 80*18*50cm
 PC/CTN: 1/2PCS
 N.W: 11. 2kgs
 G.W: 13. 7kgs



Poster-Board • CR-10J-A

TIP: Standard 32mm profile frame, mitred corner

Size: A1
 Graphic Size: 2-59.4*84.1cm(A1)
 Packing Size: 111*9*72cm 80*18*50cm
 PC/CTN: 1/2PCS
 N.W: 17.0kgs
 G.W: 19. 5kgs



Battery

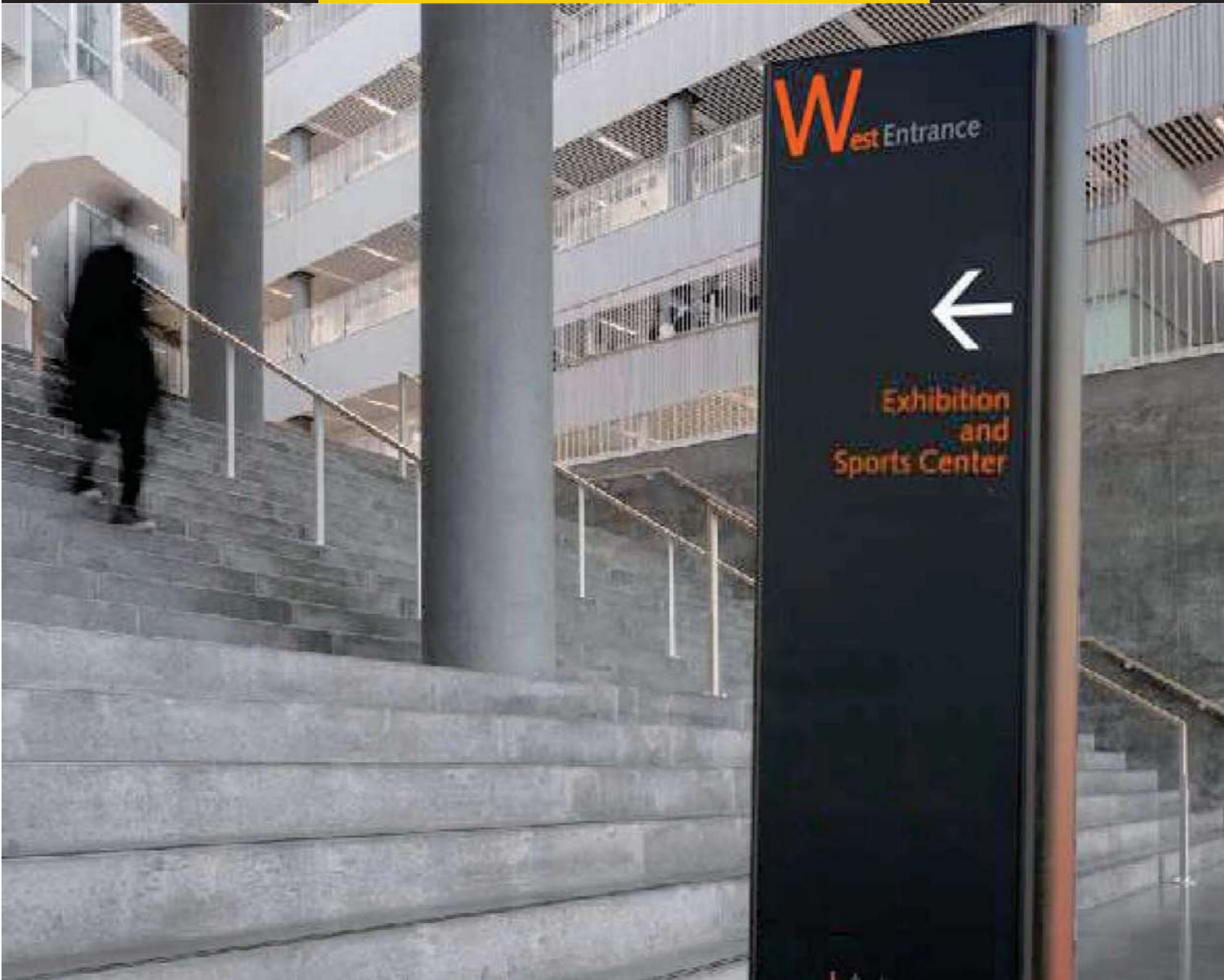


LEDboard



Improved

MODULAR PLANE SIGN



Indoor directory sign





NOTE:

- (1)The normal color is anodized silver
- (2)The color painting and size can be made as per customers' idea.

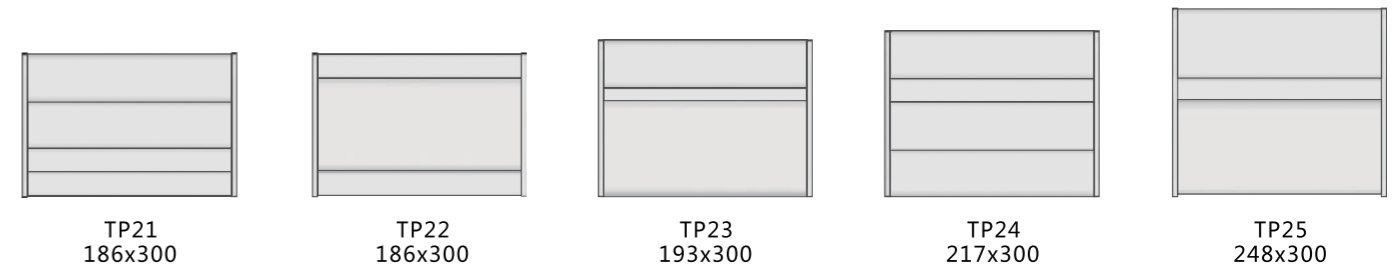
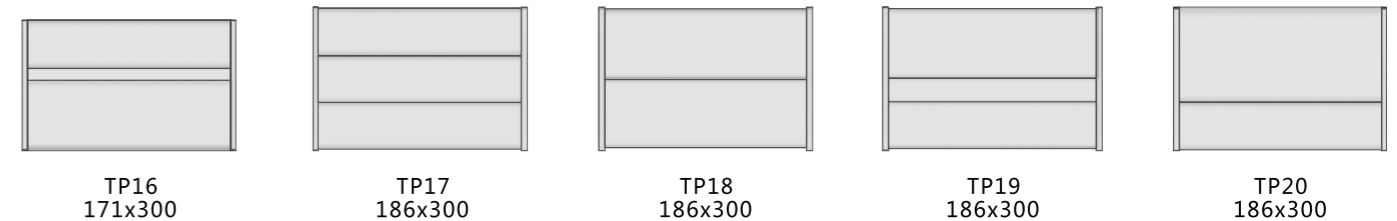
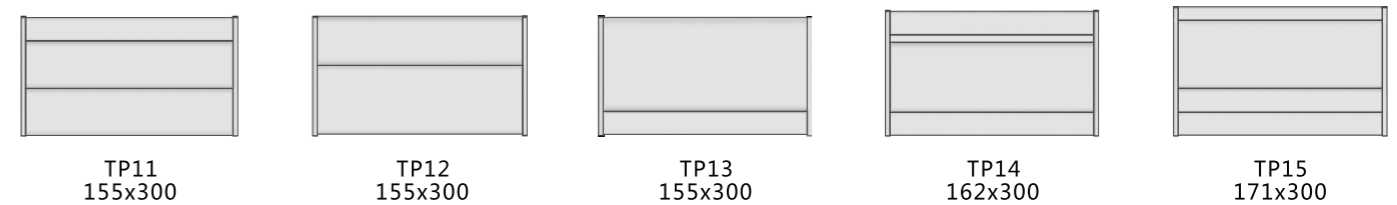
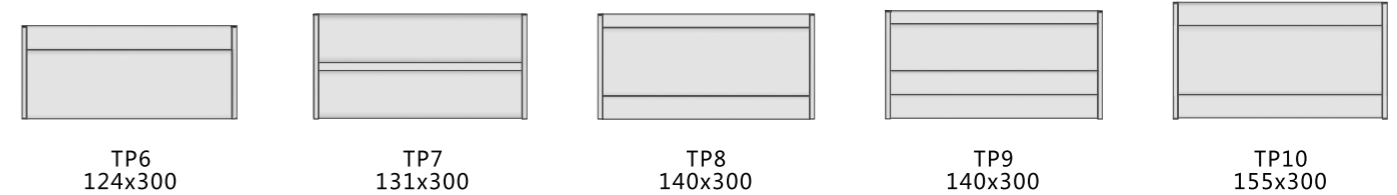
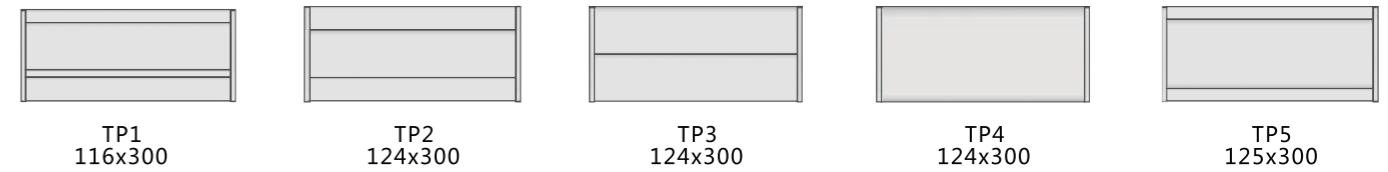


Description:

Standard extrusion LP31-LP186.
You can assemble the signs and make graphic on the extrusion easily.

NOTE:

The wire drawing panels are slim and graceful.
The side frame and panel are in the same panel.
The total thickness is only 8mm.The aluminium material is tightly assembled, making this series of brands grand and unknit, only 8mm projecting outside the wall.





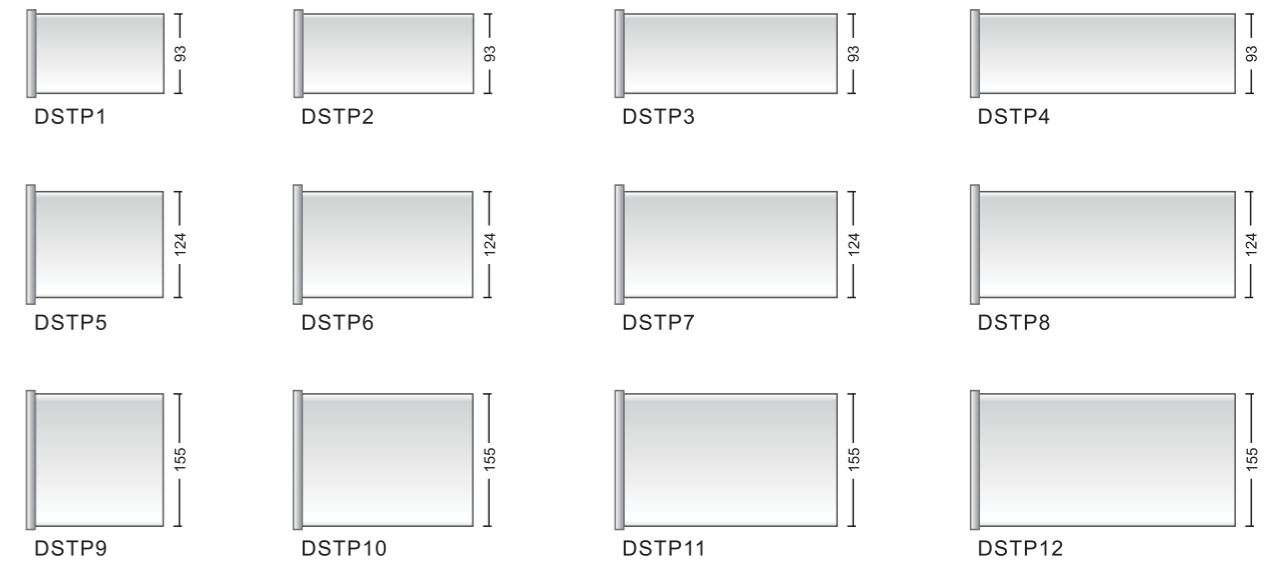
NOTE:

The wall brackets offer you two kinds of design.
This type uses LP31-LP186 standard extrusion and LPT1.



Description:

The flat wall bracket sign uses SD10-1 and SD11 standard extrusion. Size can be made as per customer's idea.



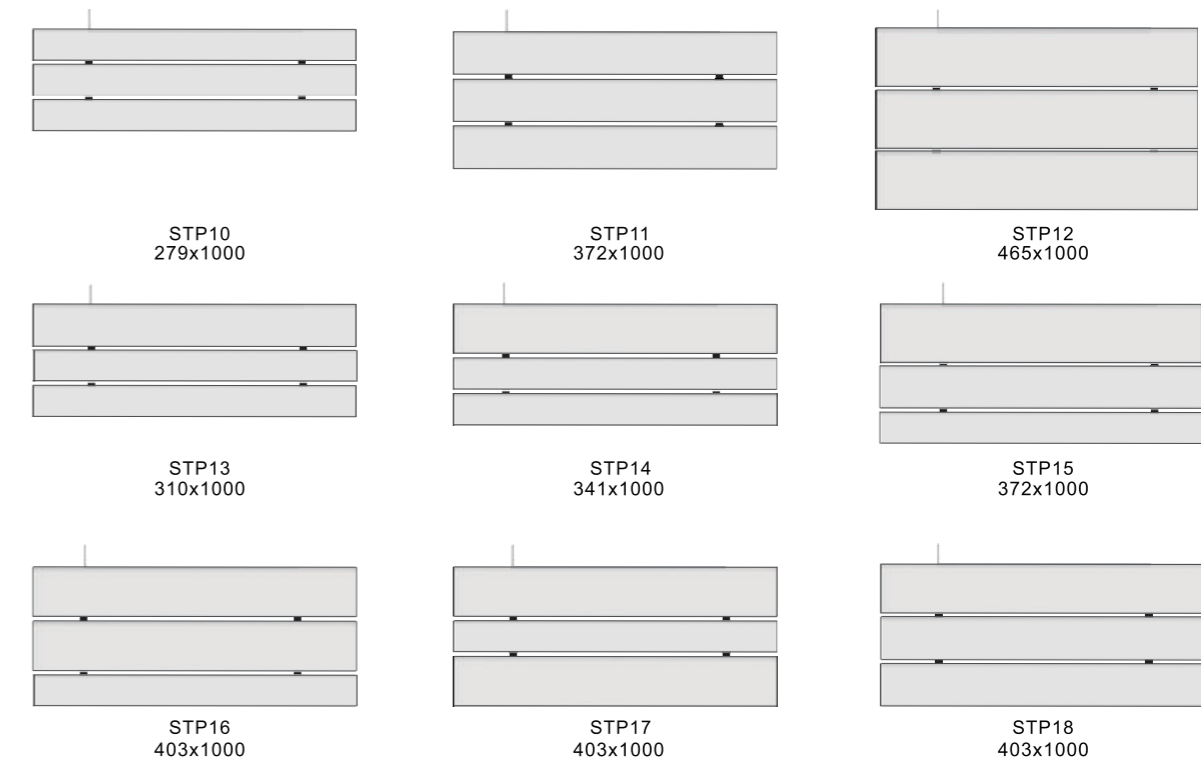
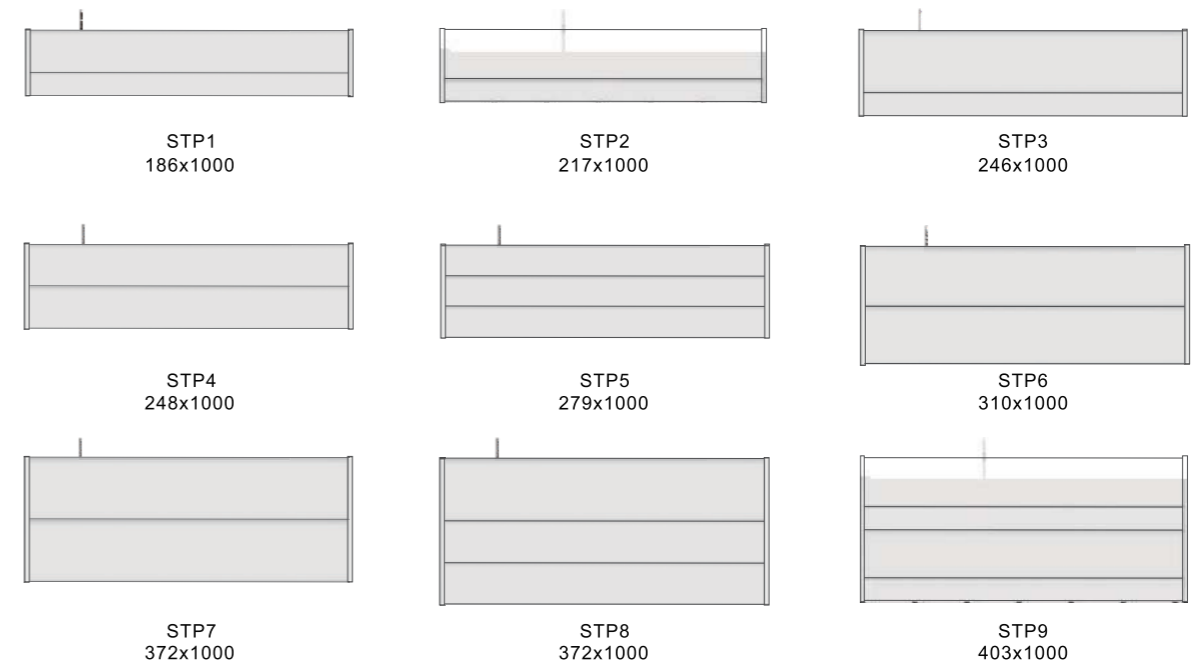


Description:

Flat hanging signs have two kinds of design. One type uses LP31-LP186 aluminium extrusion and another types use SD10-1 aluminium frame.



Hanging fittings

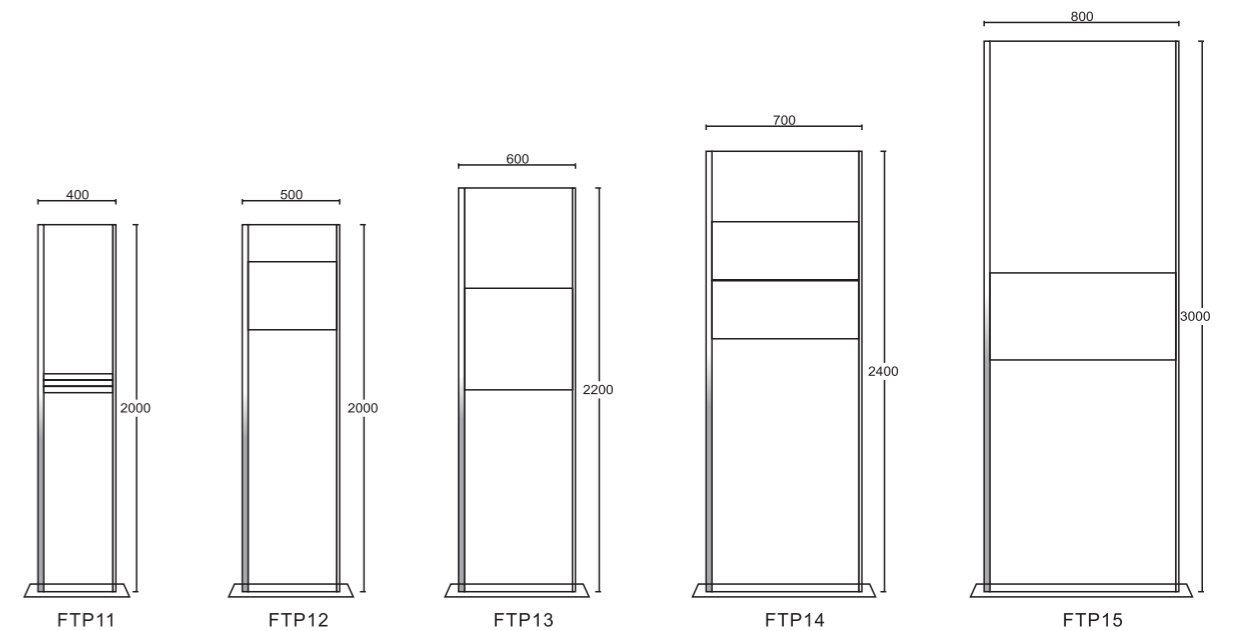
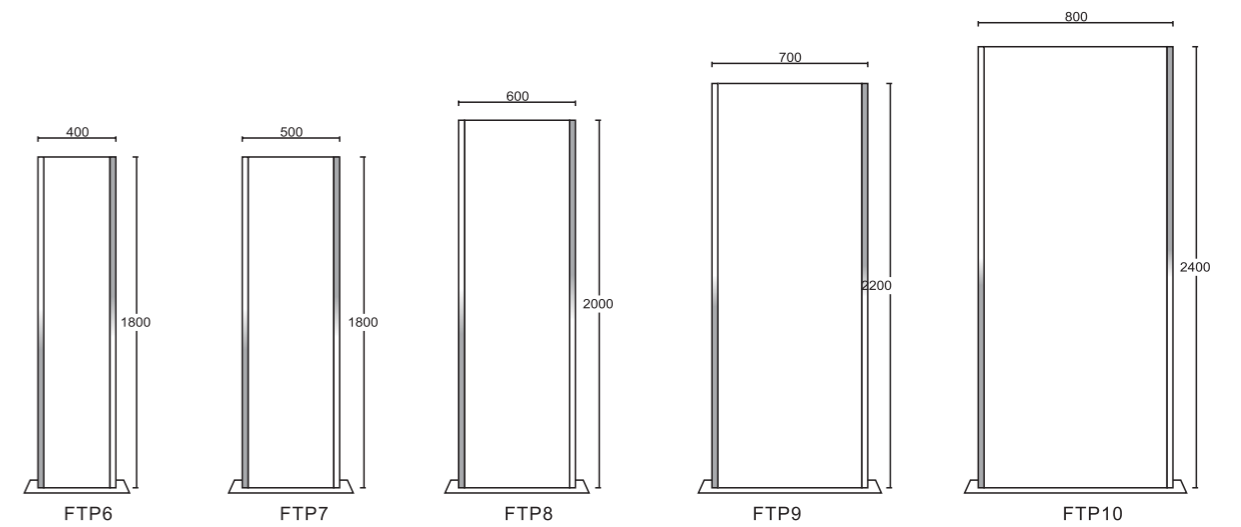
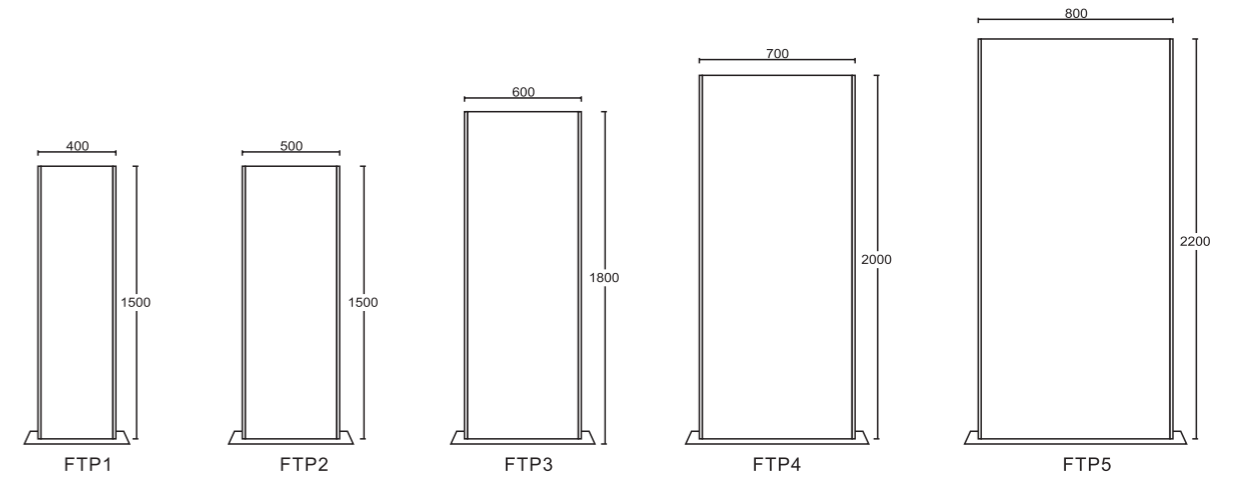
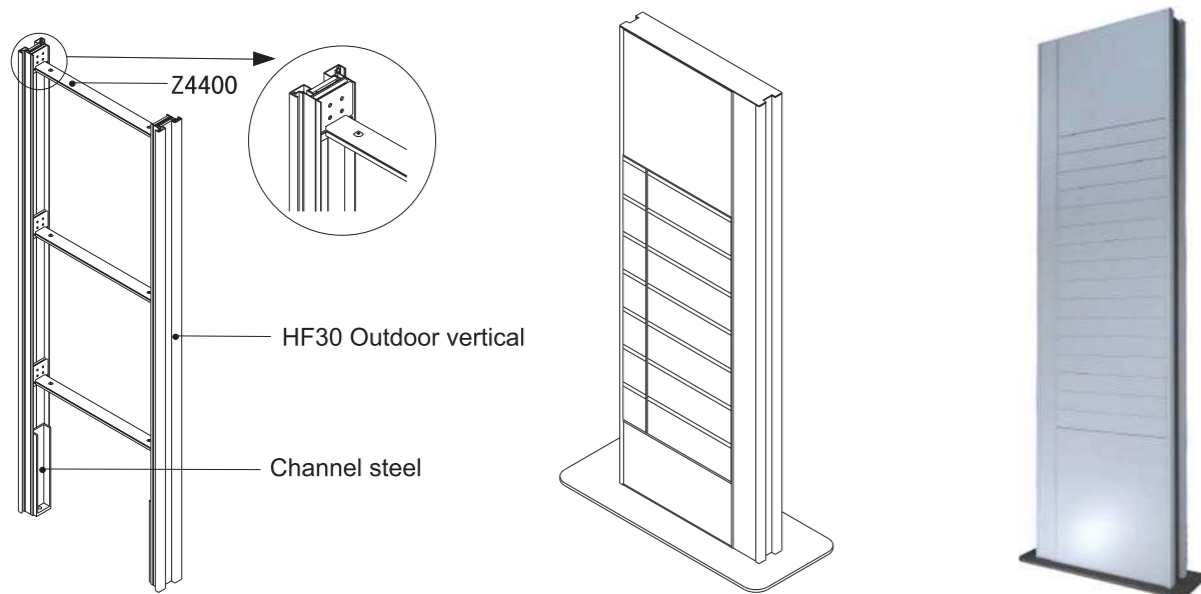




Description:

Flat double sides pylon uses of HF30 frame. Innovative frames and integrated sheet metals.

Series of flat sheet metal brands: diversified choices of materials, simplified structure, appropriate design, easy installation and removal, wide indoor and outdoor application, clean appearance, clear indication, individualized, life-style and environmental-friendly design.





The outdoor brands include distributing signs, service establishments, appellation sign, outdoor general layout, and etc.

Hy90	Assembly Sterogram	Assembly Sterogram	Bottom Sterogram
	Section Drawing		Special Bolt

X106 Indicator Brand X106 Assembly Drawing Structure

	Sectional Drawing	Bottom feet

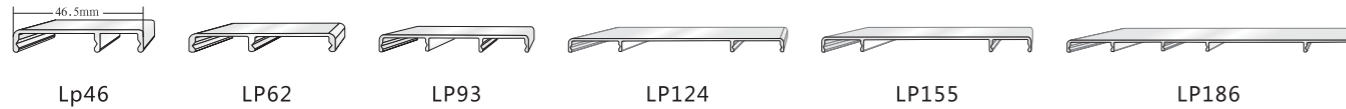
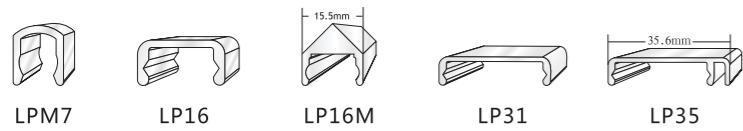


This series of products is composed of 1/4 circular columns. Thickness of these columns can be increased and it has a delicate structure. Its unique characteristic of capability for stitching and widening makes it more charming and popular with its customers. If needed, this product can also adopt lighting inside so as to function as a Hou day identification guide.

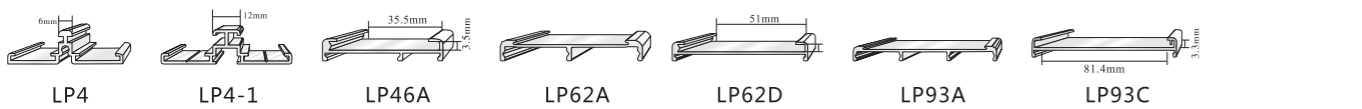
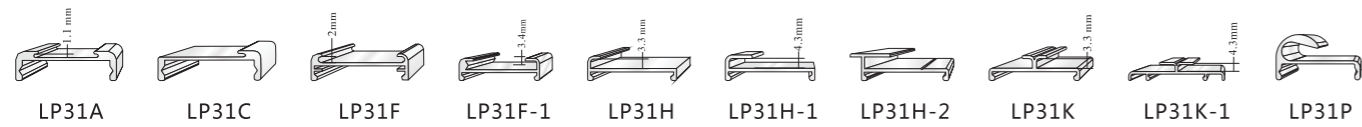


MODULAR "K" CURVED SIGN

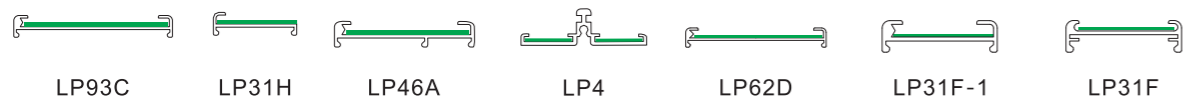
Flat panel



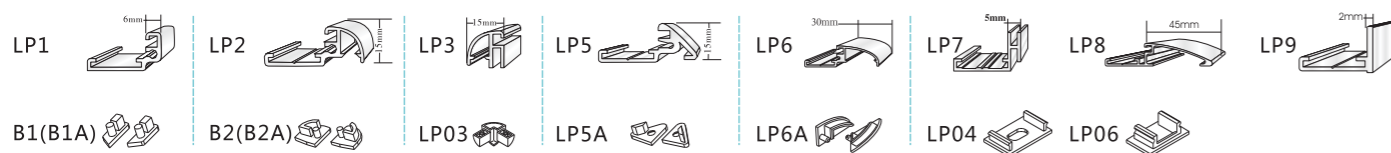
Sliding panel



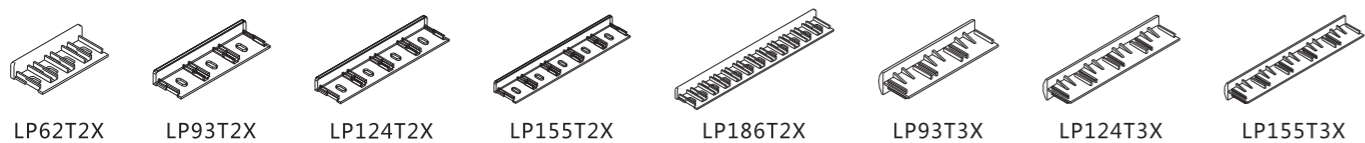
Usage



Frame and end cap



Plastic end cap



Modular Curved Frame Technology: K-modular series with the ability to provide highly customizable solutions that meet the unique requirements of each sign project. Modern, contemporary and a clean look.



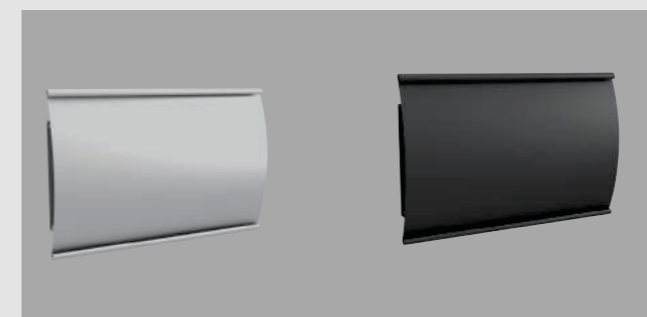
K SYSTEM



K system can be used for wall frames, wall brackets, table stands, double-side post, suspended sign and triangular pylons.



K system is commonly used as room signs, door sign or wall signs. These signs are used widely for office buildings, hospitals, universities, retail establishments and numerous other locations.



K-system offers anodized silver and anodized black profile.

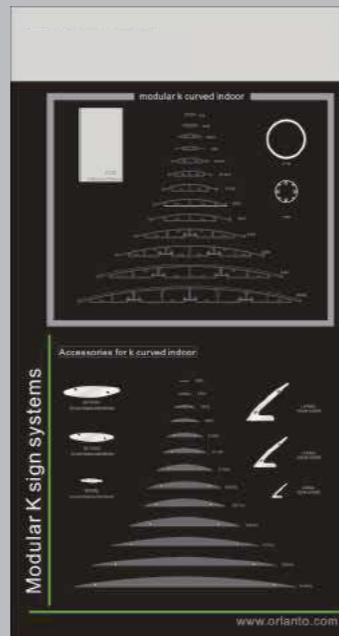


black plastic cap gray plastic cap aluminium cap

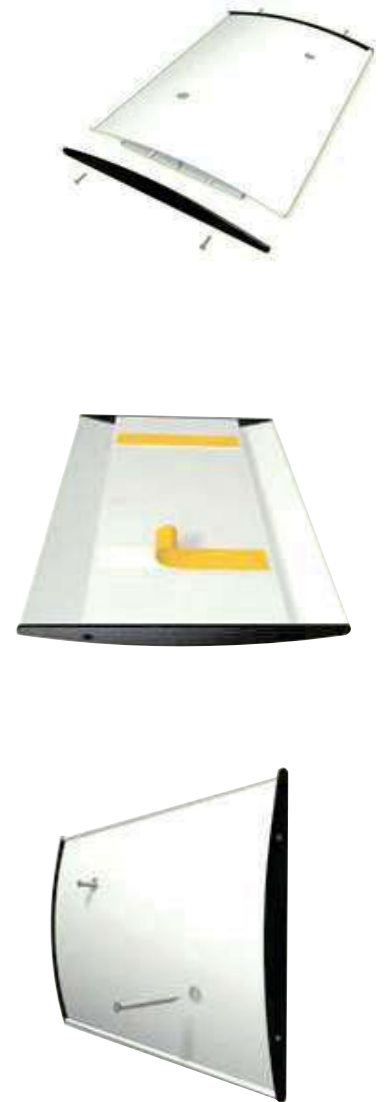


double sides alu cap alu cap of table sign

Black plastic dividing strip can be insert into the curved frame.



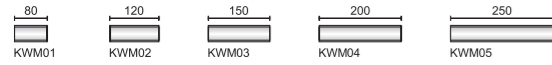
- K40
- K60
- K80
- K100
- K120
- K150
- K200
- K221
- K300
- K400
- K500
- K600



Create wall-mounted signs with the frame extrusions using any flat, flexible substrate to create a curved-face sign..



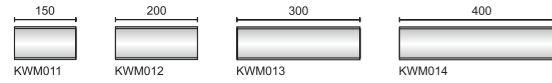
K40



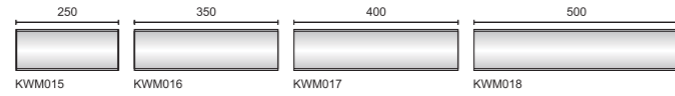
K60



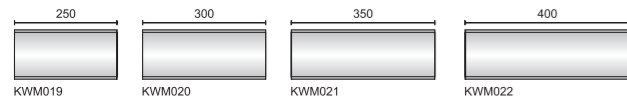
K80



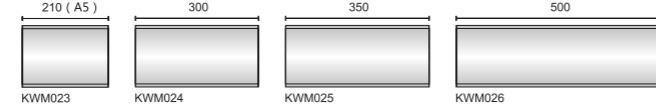
K100



K120



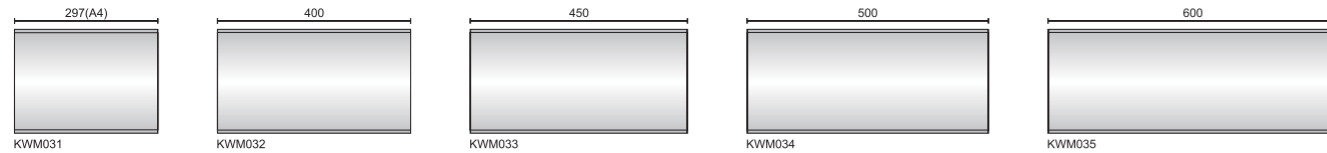
K150



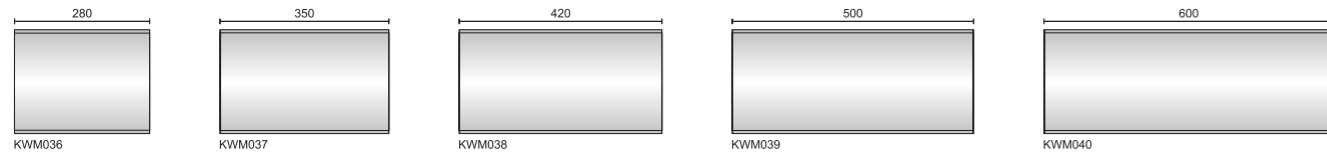
K200



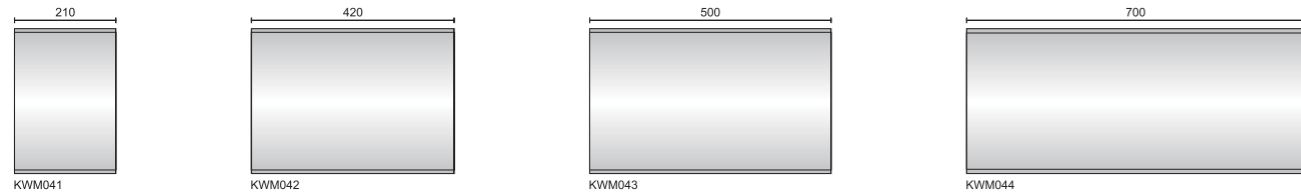
K215



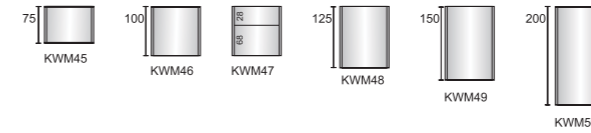
K215(Letter)



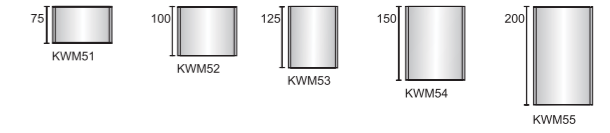
K300



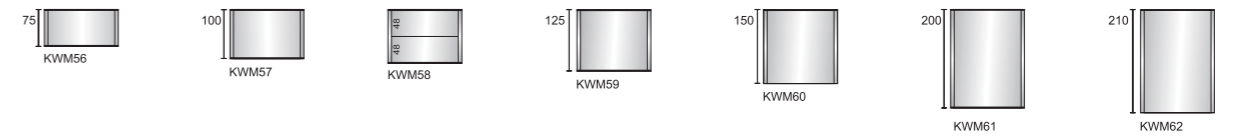
K100



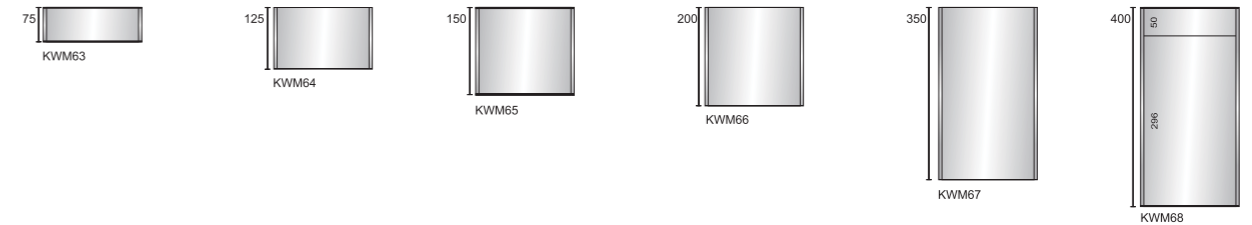
K120



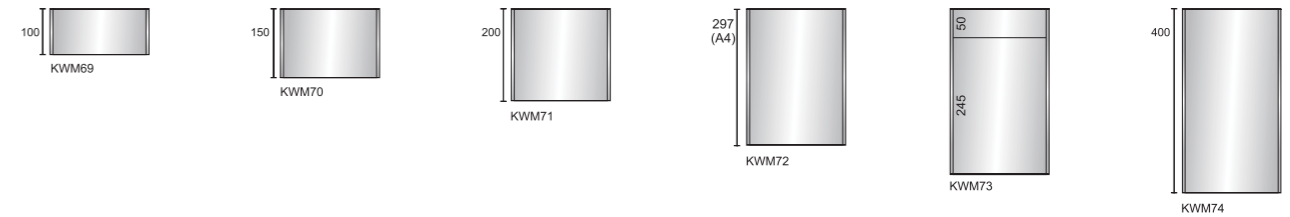
K150



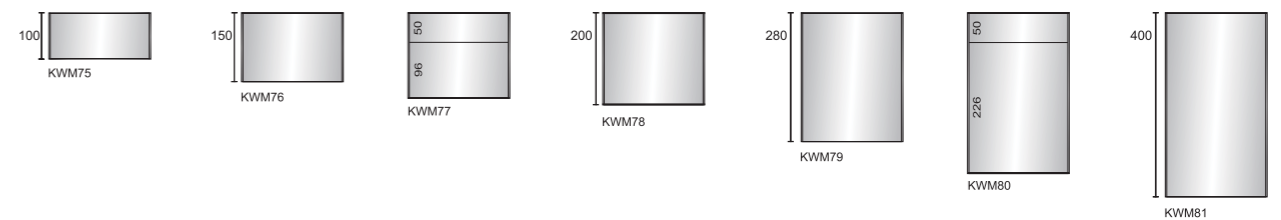
K200



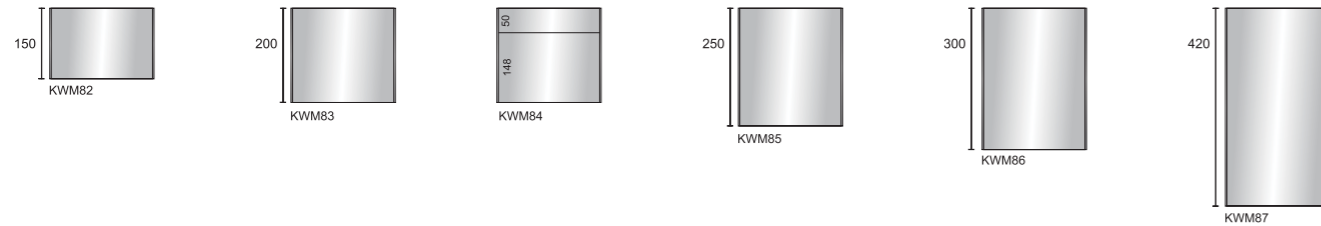
K215



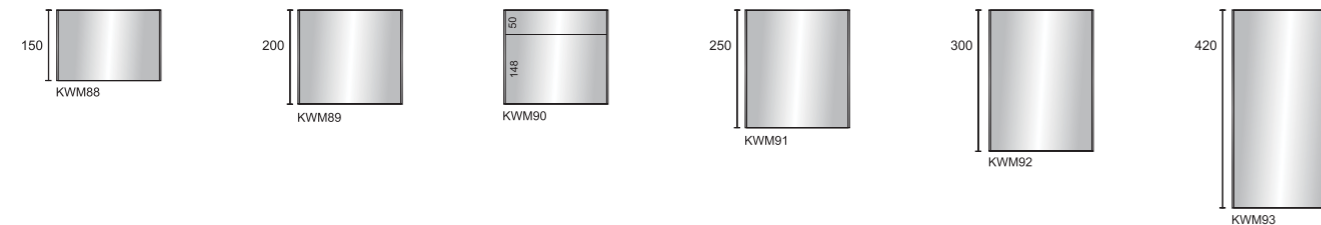
K221



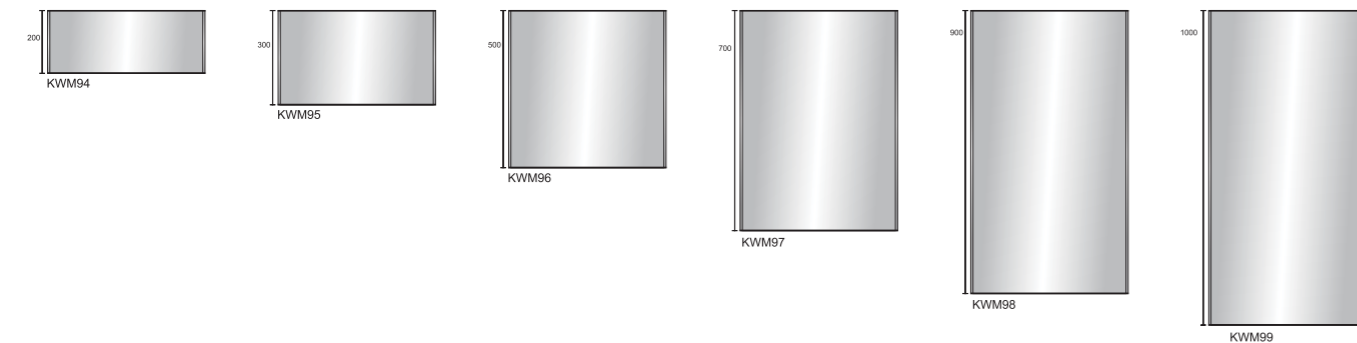
K300



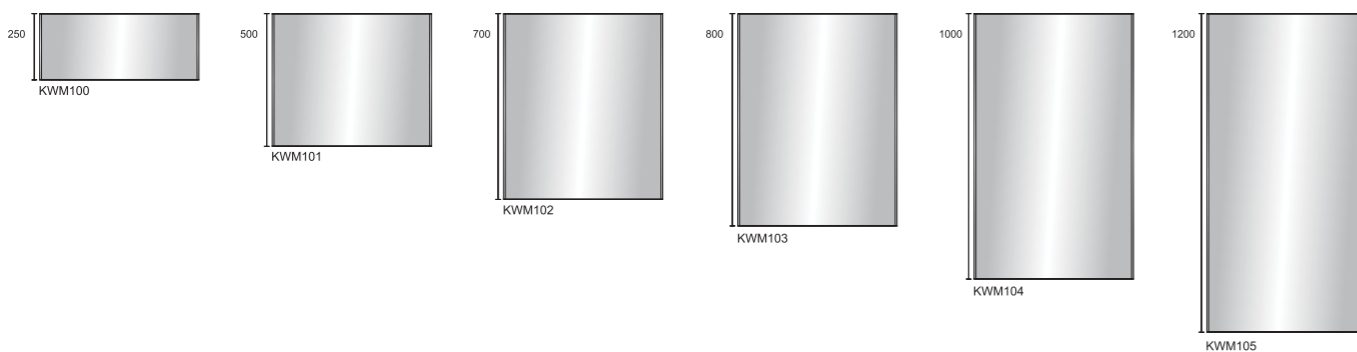
K400



K500

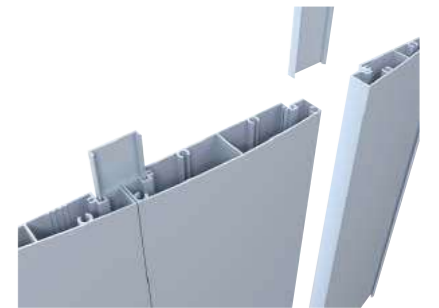
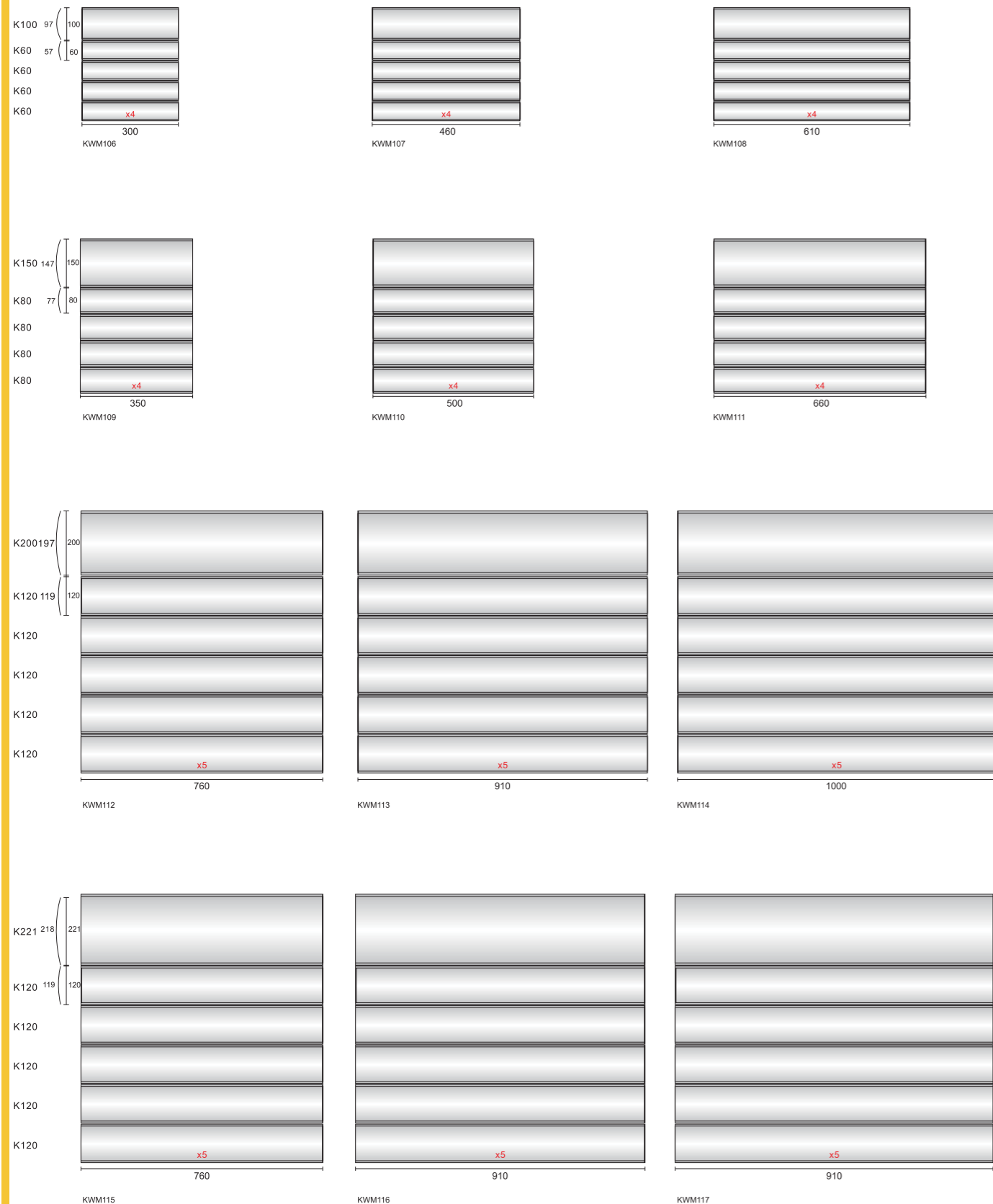


K600



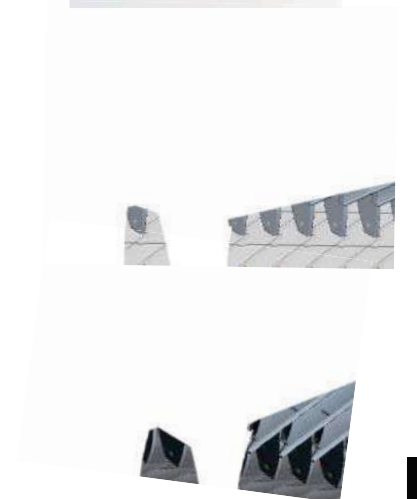
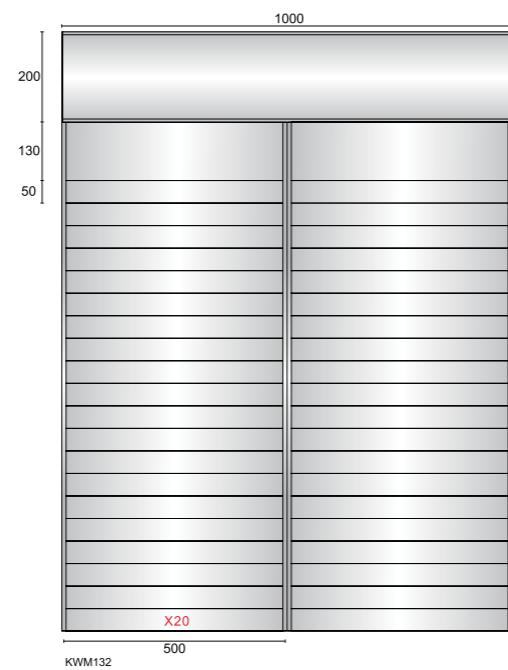
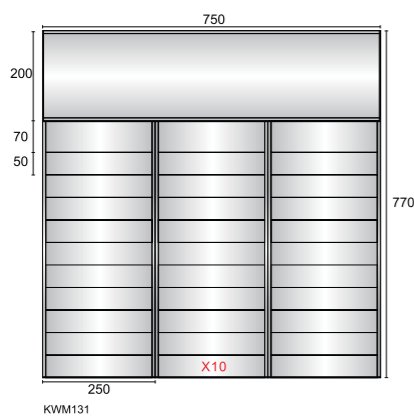
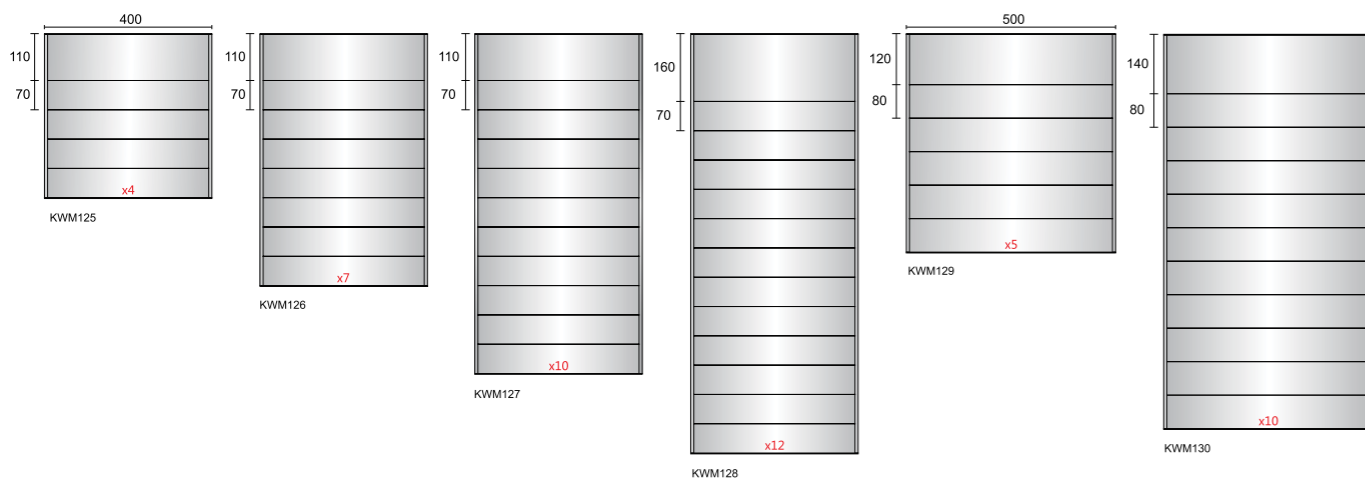
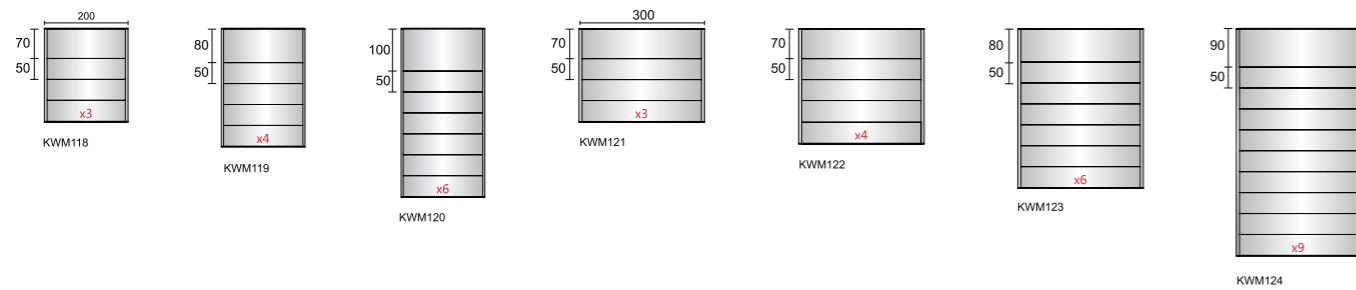
Description:

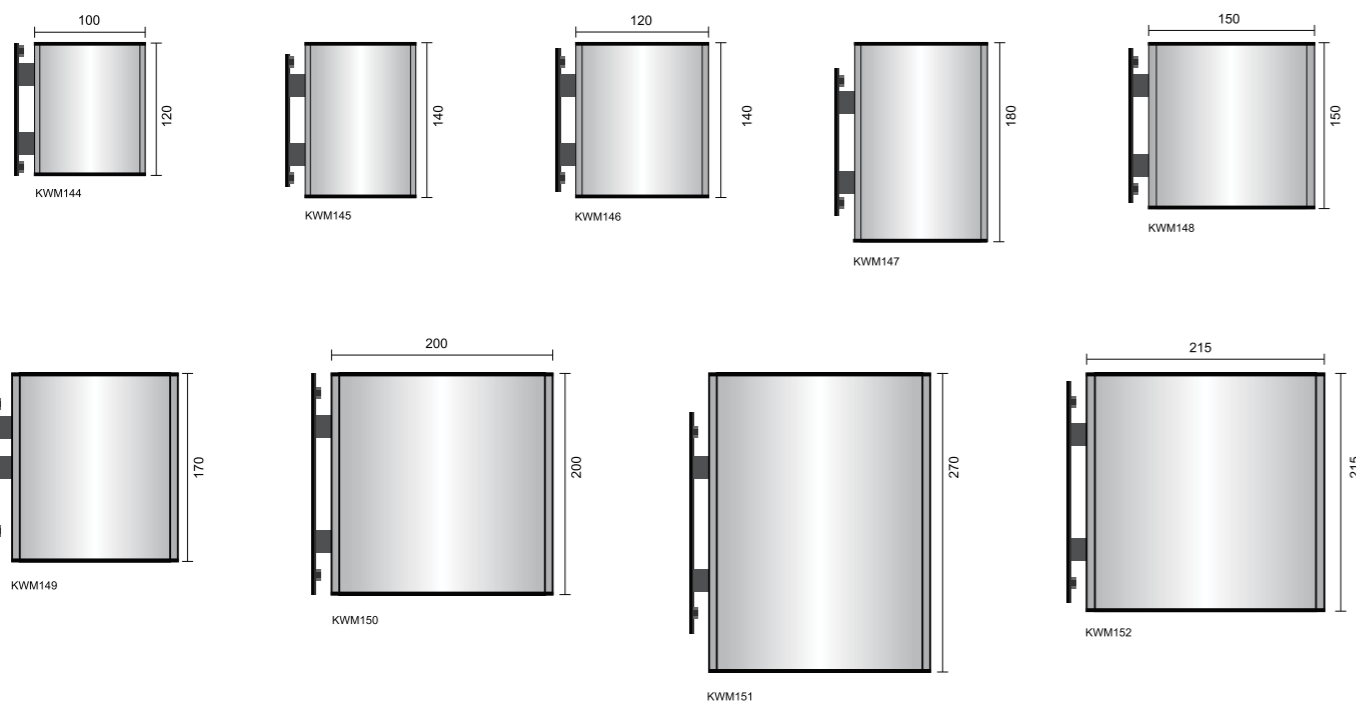
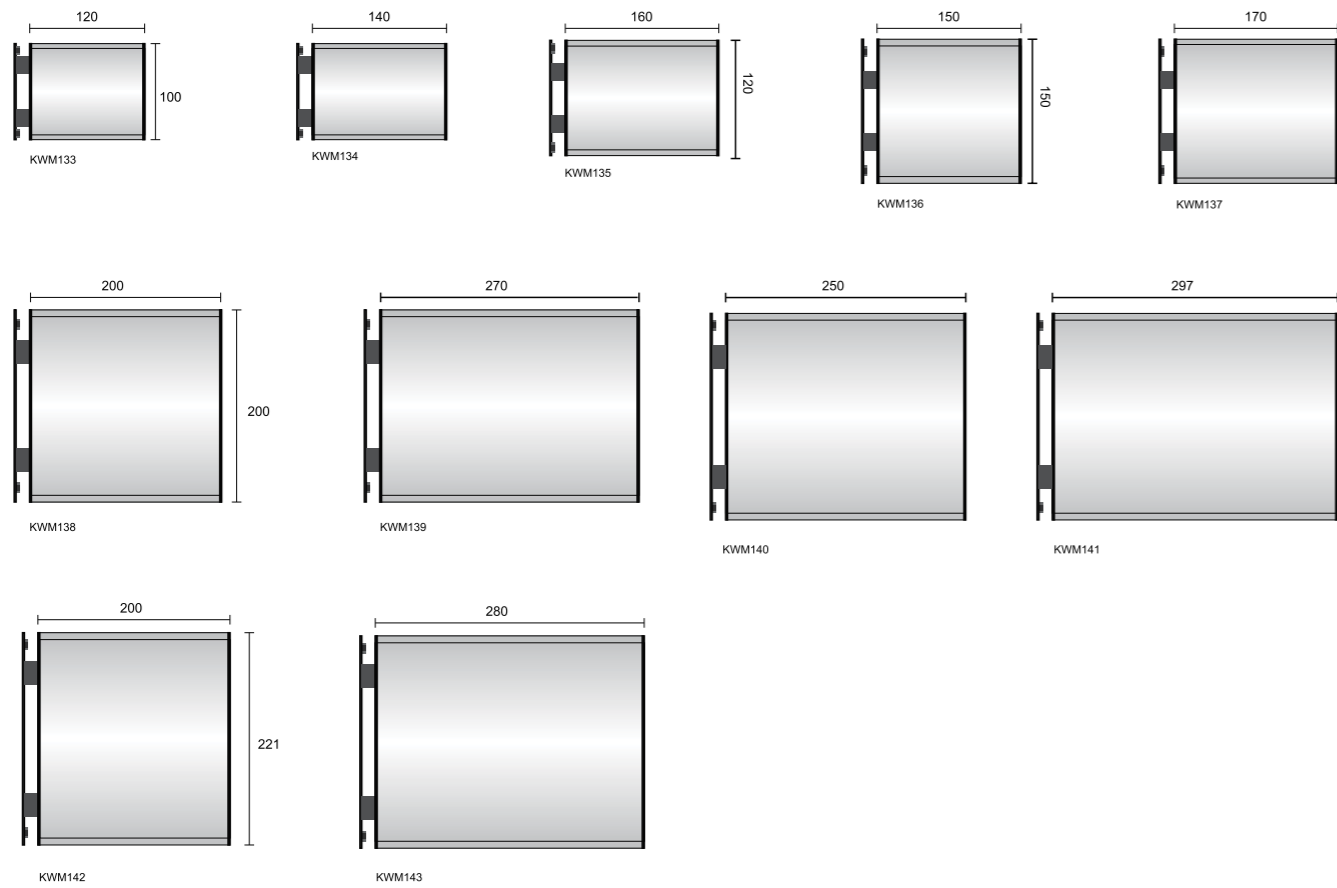
1. Standard extrusion K60, K80, K100, K120, K150, K221
2. K60-K221 special for directional sign

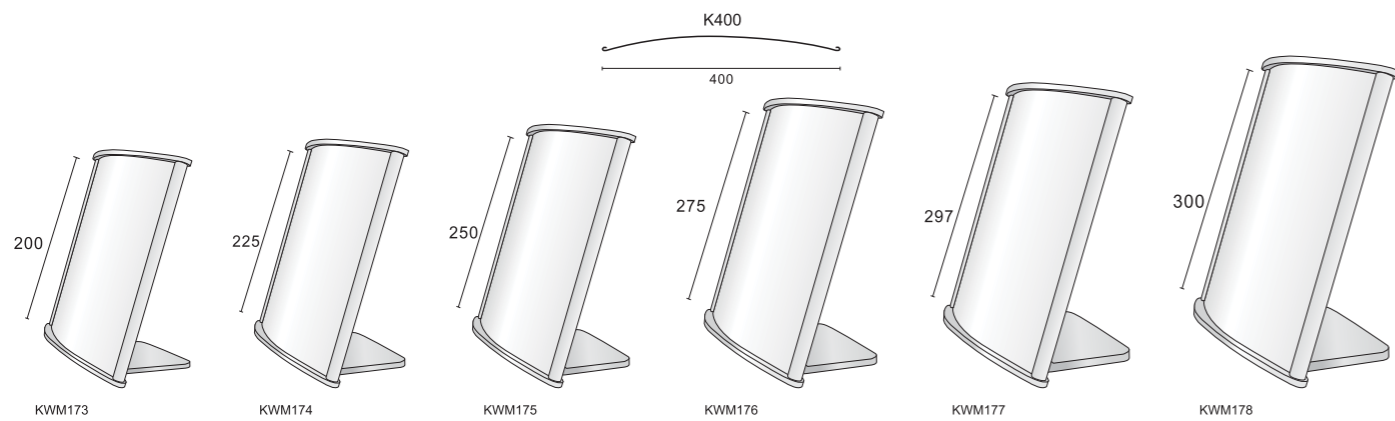
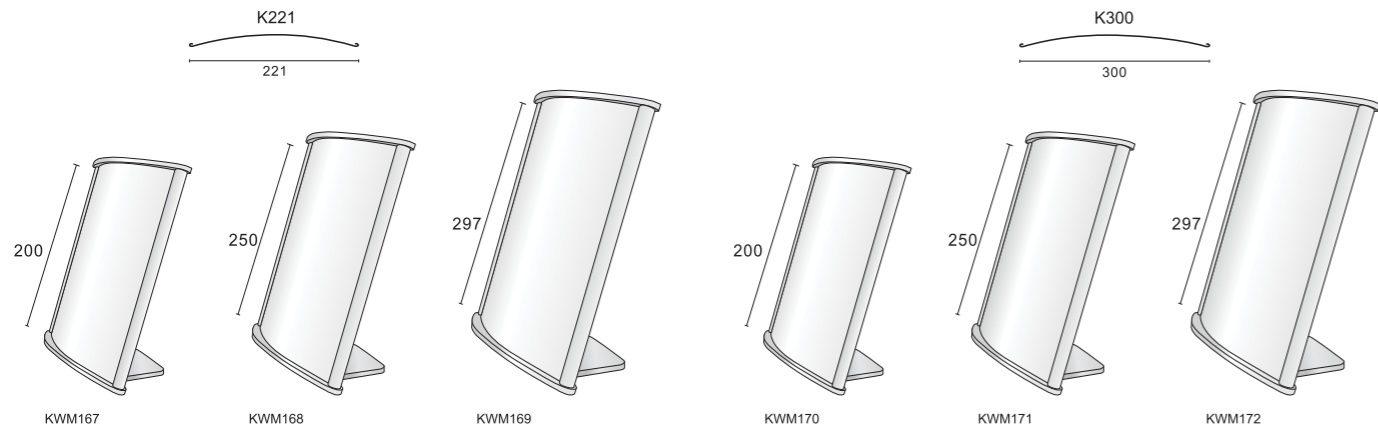
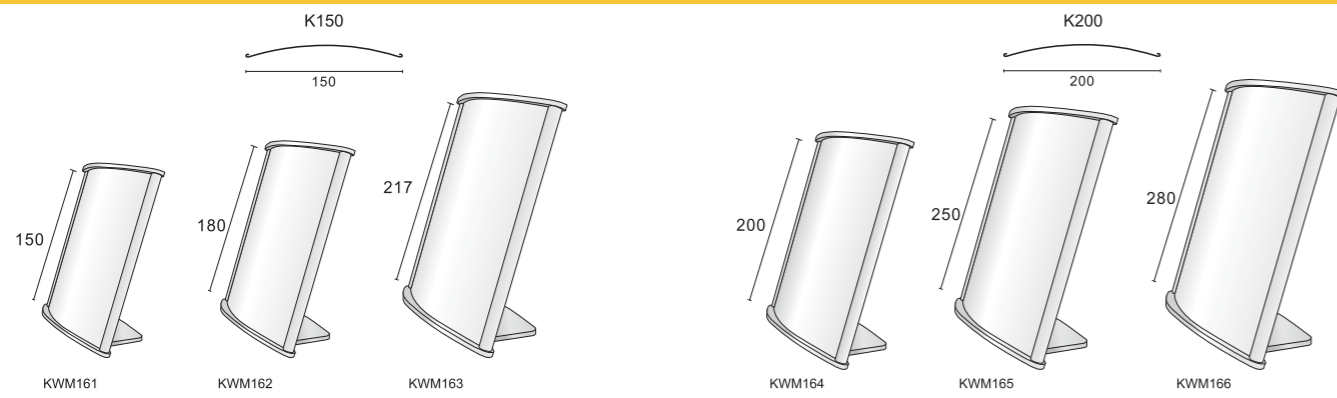
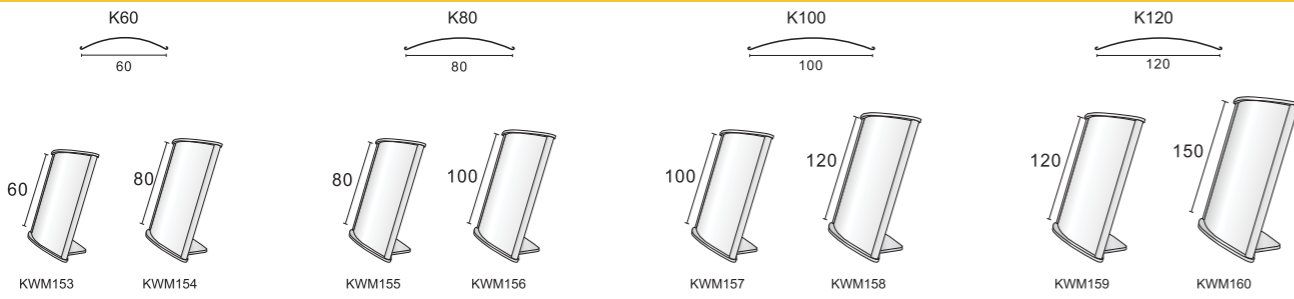


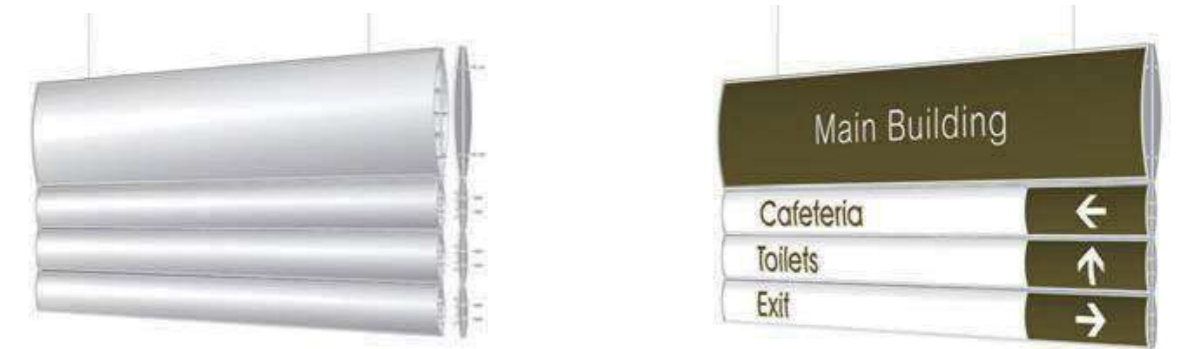
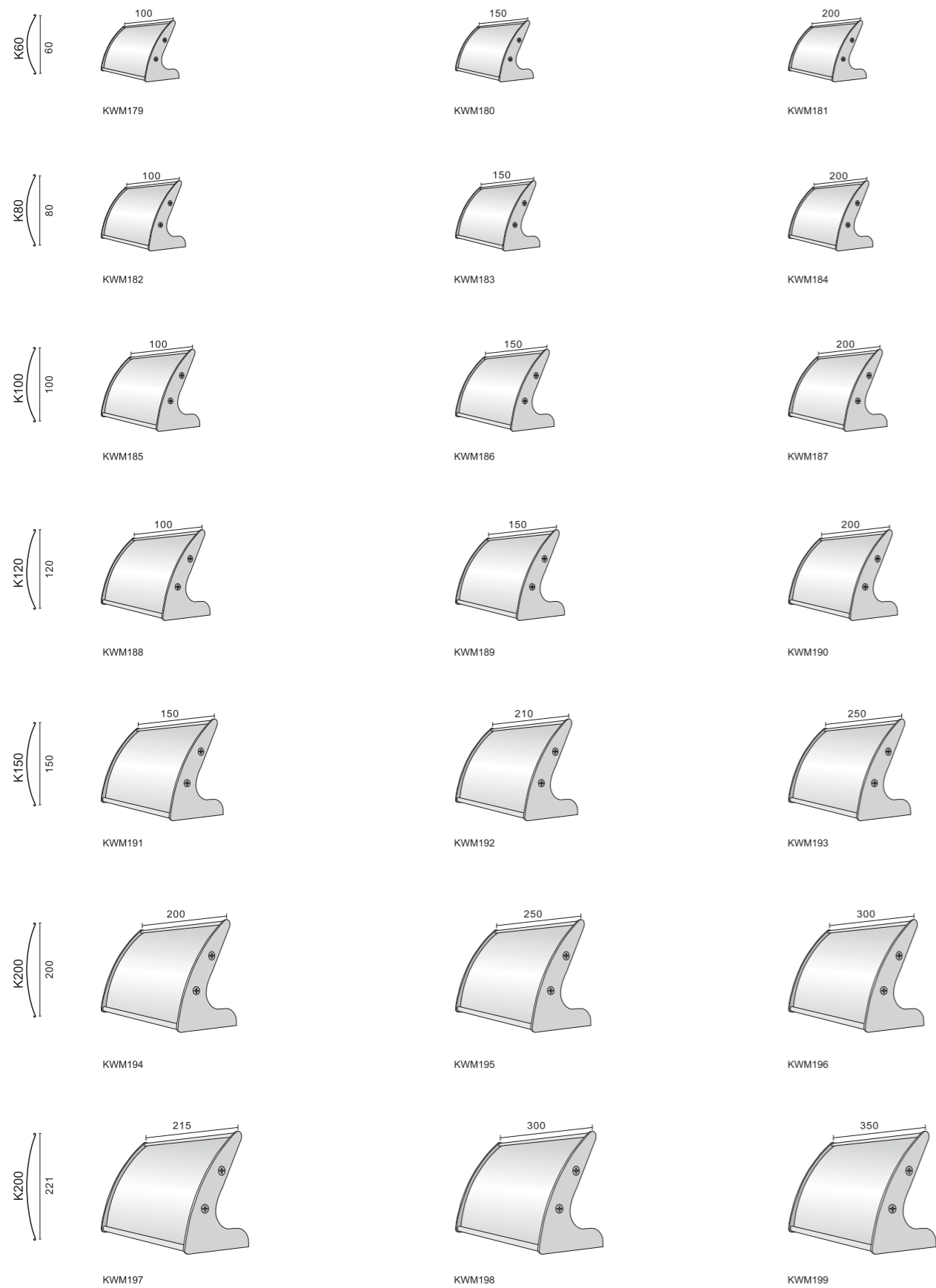
Description:

1. Standard extrusion K200, K300, K400, K500
2. Using dividing strip for separate graphic





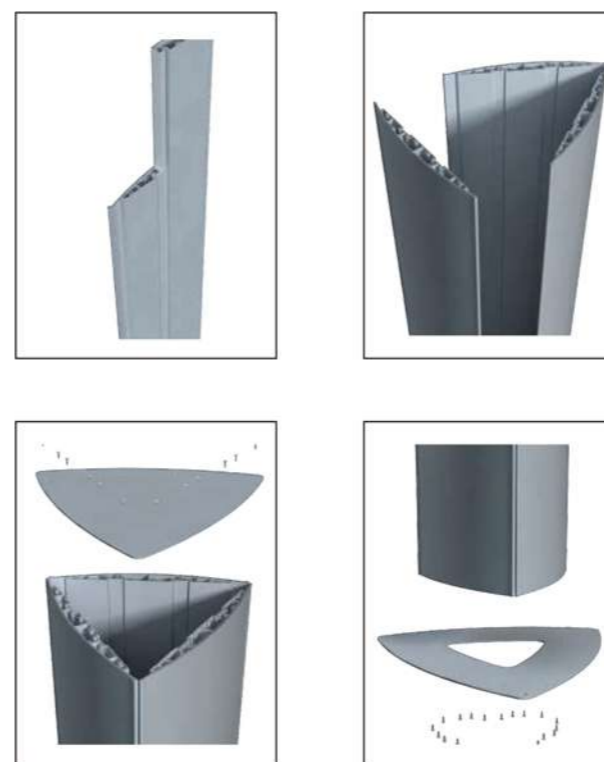
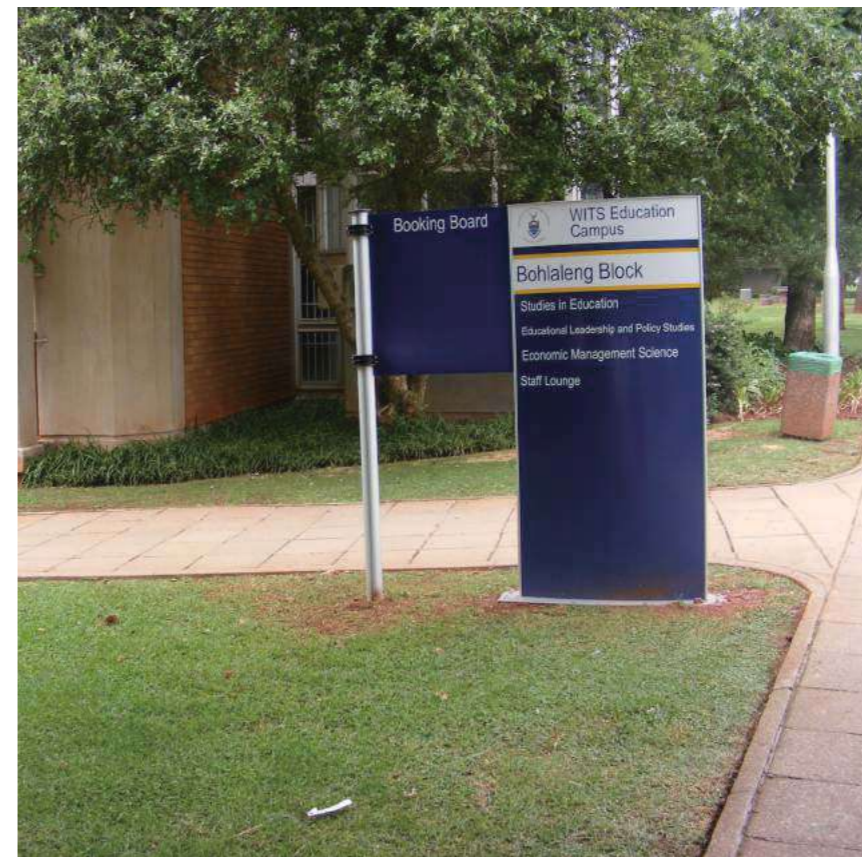
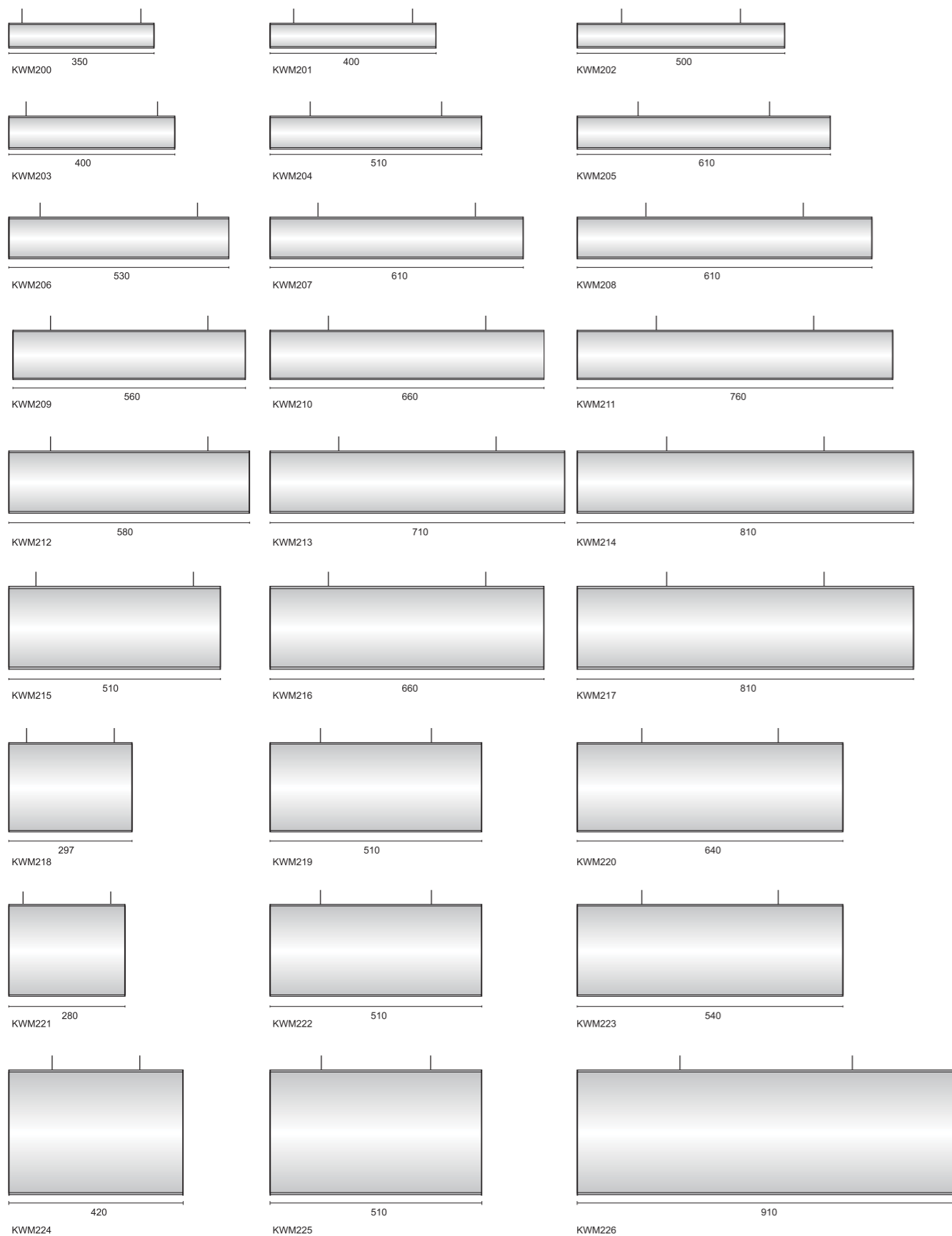


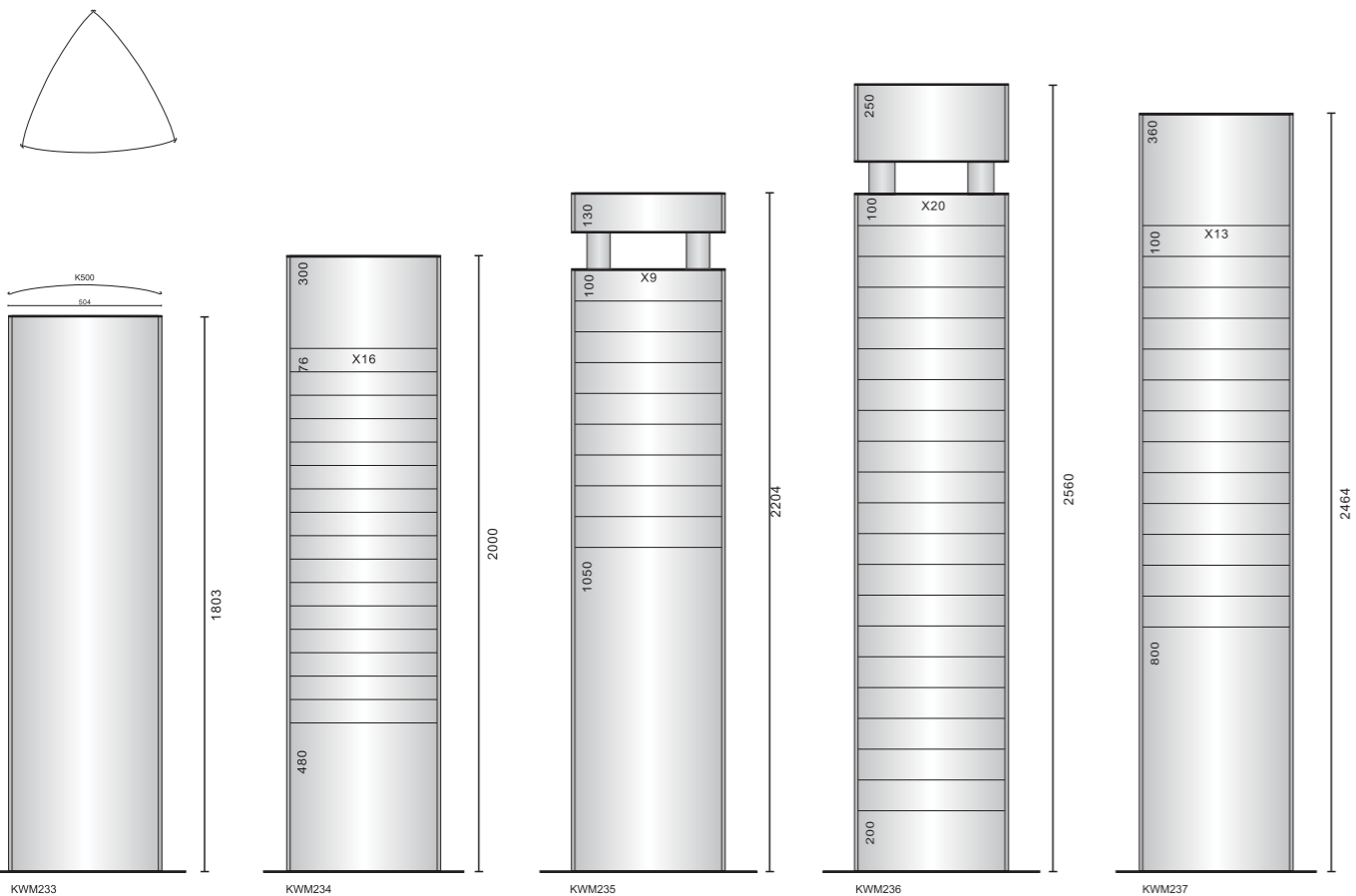
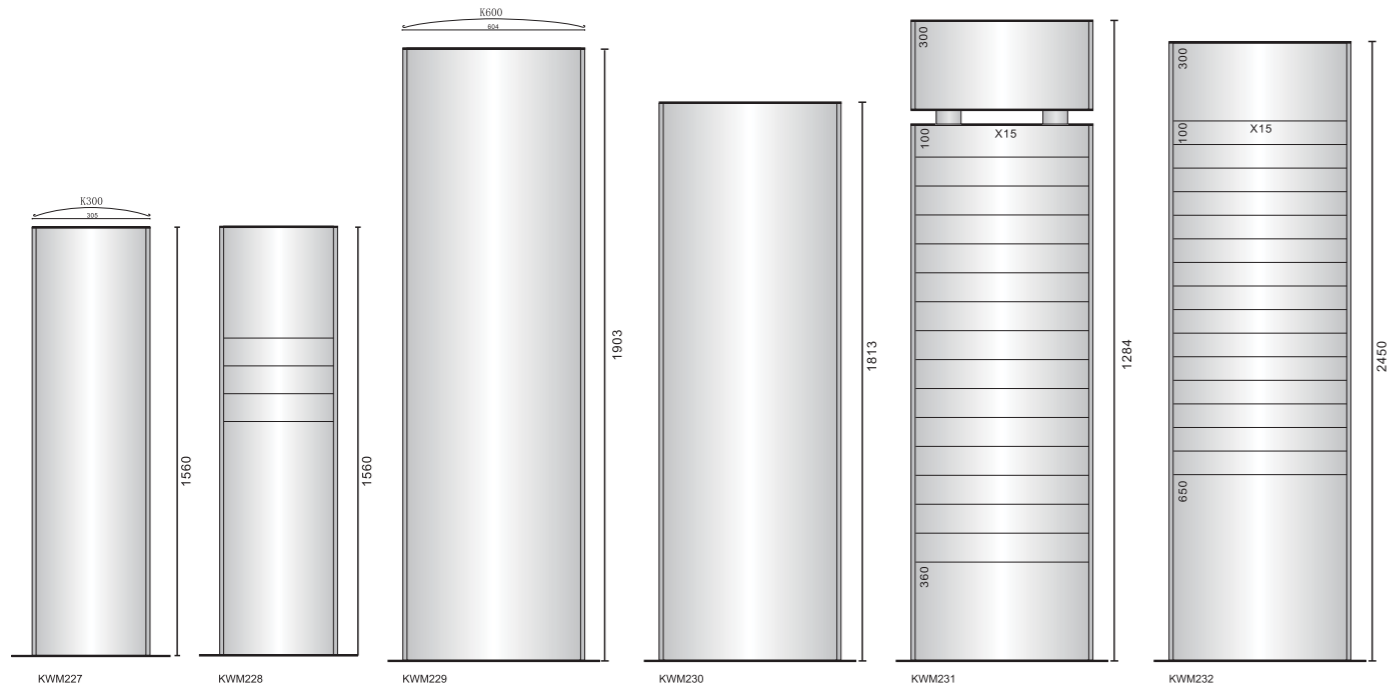


K-system standard profiles are used with plastic or aluminium end caps to create a large variety of horizontally curved double-sided suspended signs.

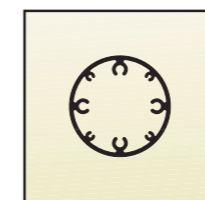
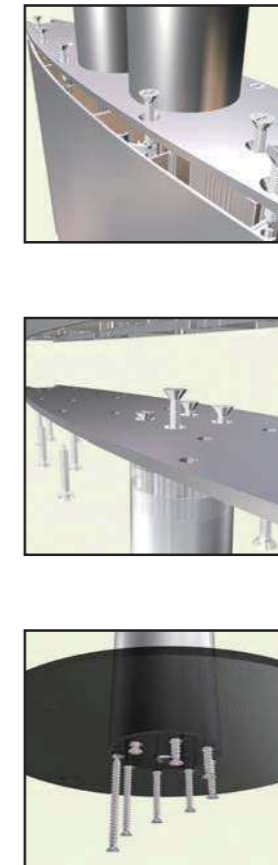


K Projects

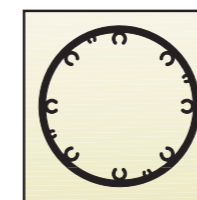




K-system offers a range of bases and end caps that utilize the built in screw bosses allowing all sign holders to be assembled using only a screwdriver. And we offer two designs: wide-design and slim design. Sign frames and post heights are adjustable.



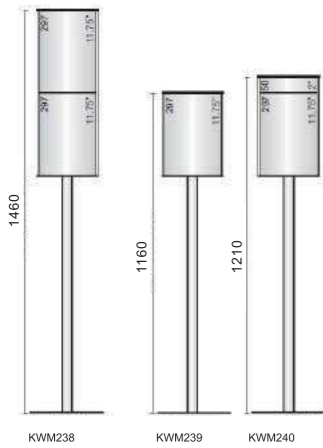
ø60mm/2.36"



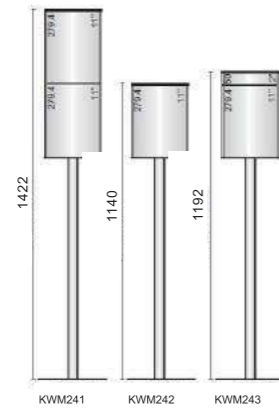
ø100mm/3.93"

K-system post frame has Ø60mm, Ø100mm. Post frames can be connected with end caps and post base easily.

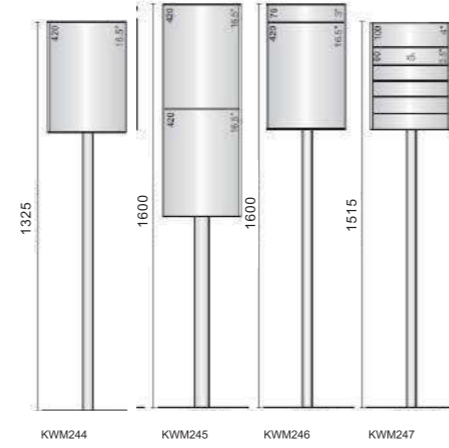
Profiles & accessories



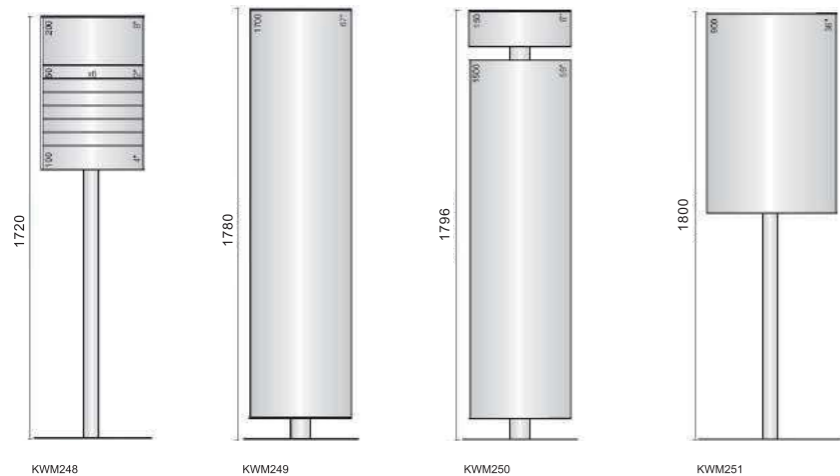
KA4



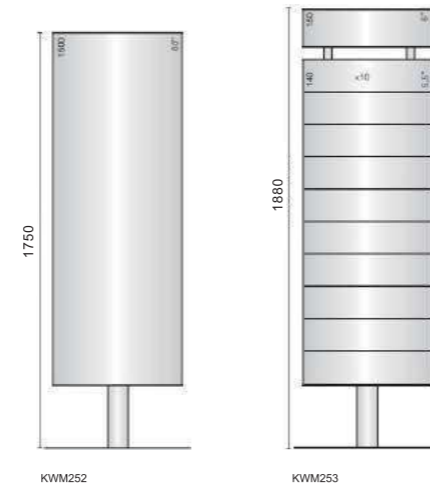
KLetter



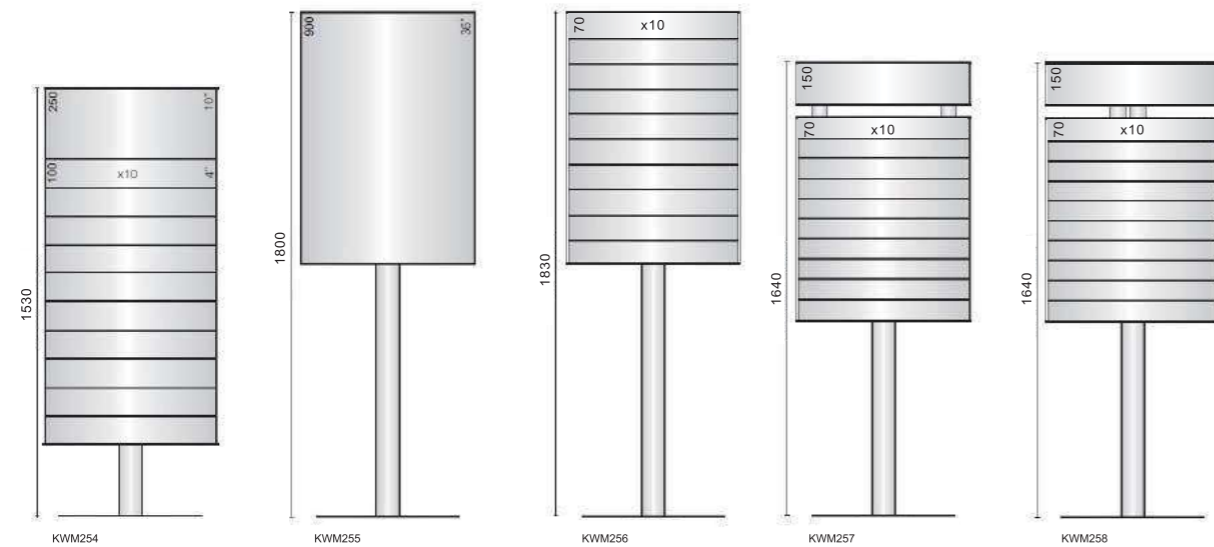
K300



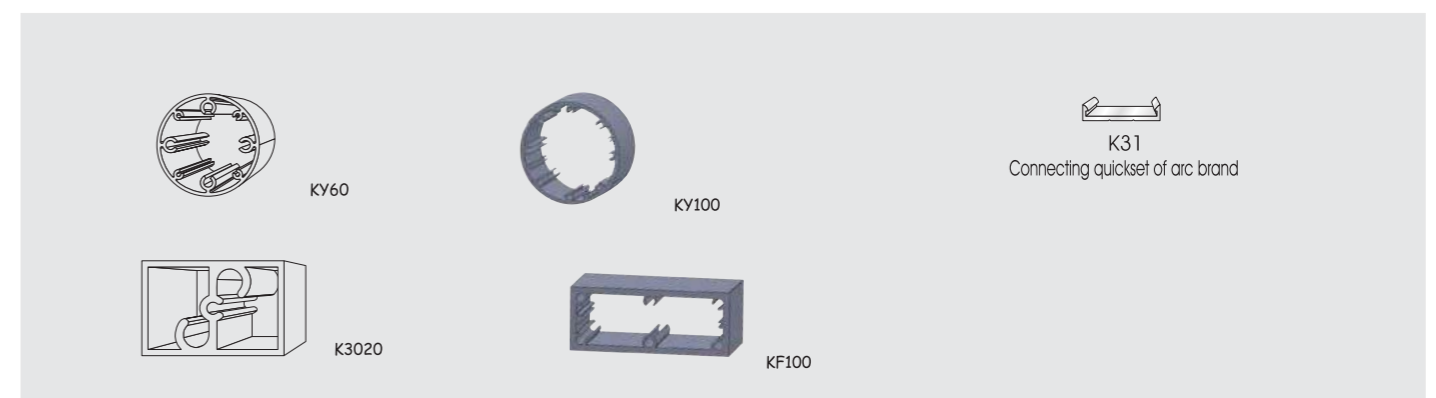
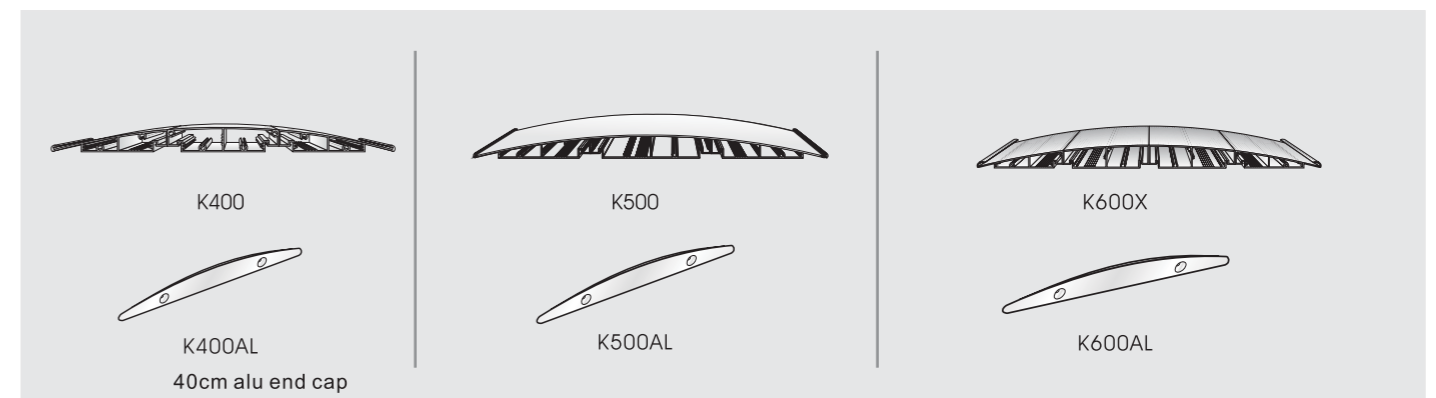
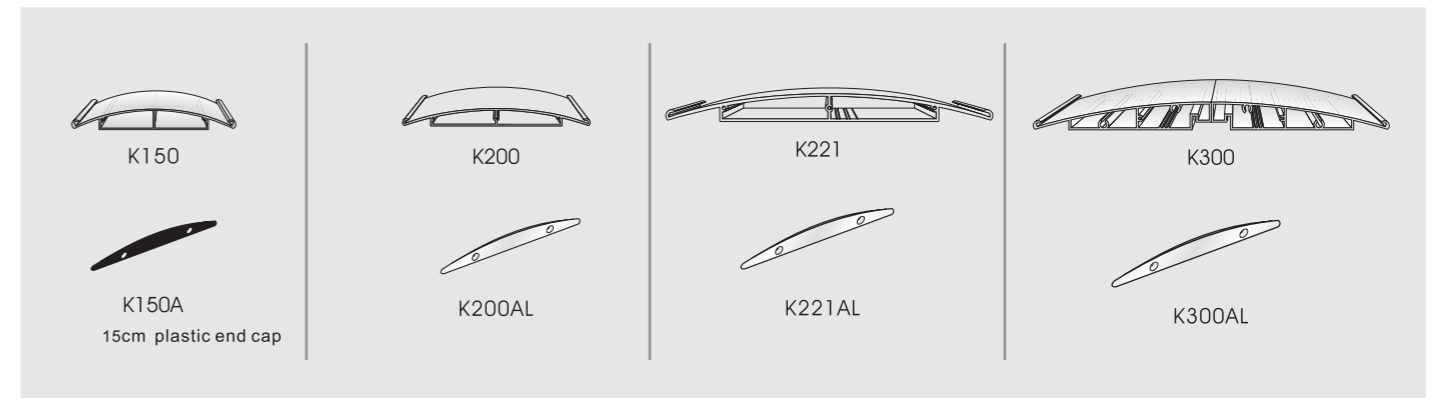
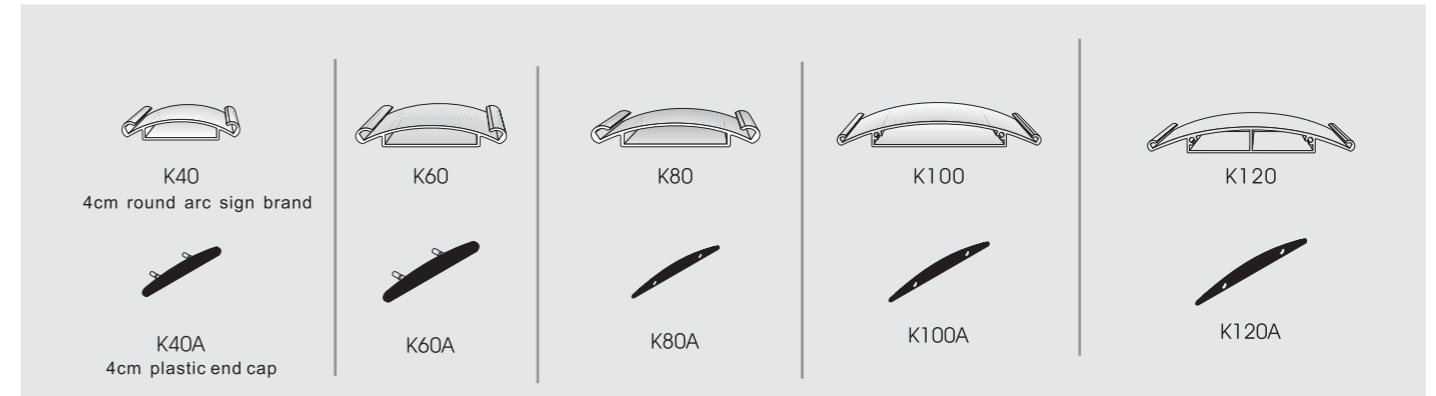
K400



K500

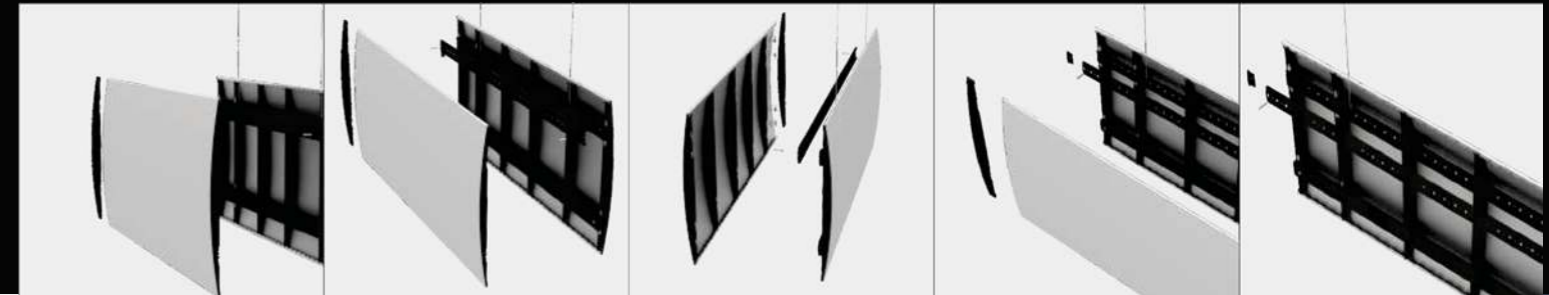


K600



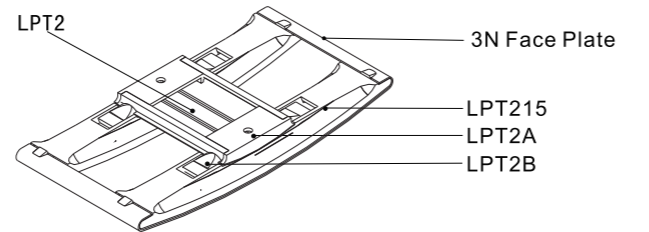
MODULAR CAMBERED BRAND SIGN

Cambered Brand Sign

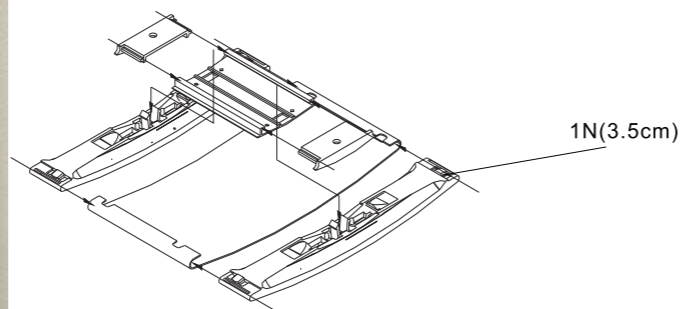


It used for indoor and outdoor. Which can be made as door signs, wall mounted directory sign, suspended sign and free standing pylons. They are popular used for office building, university, hospitals, shopping mall, etc.



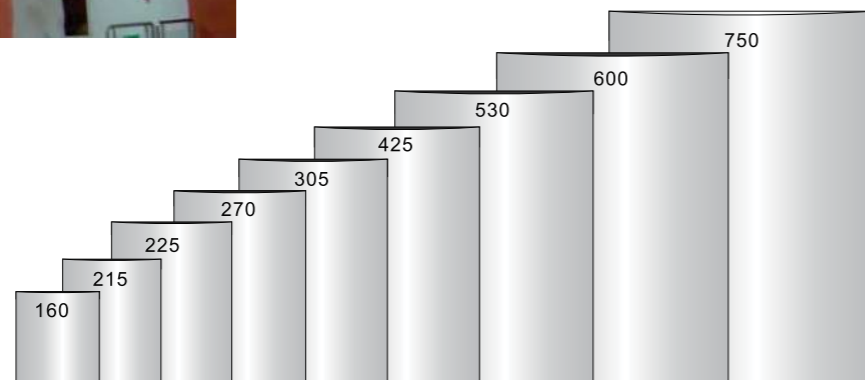


Assembly Instruction for back side

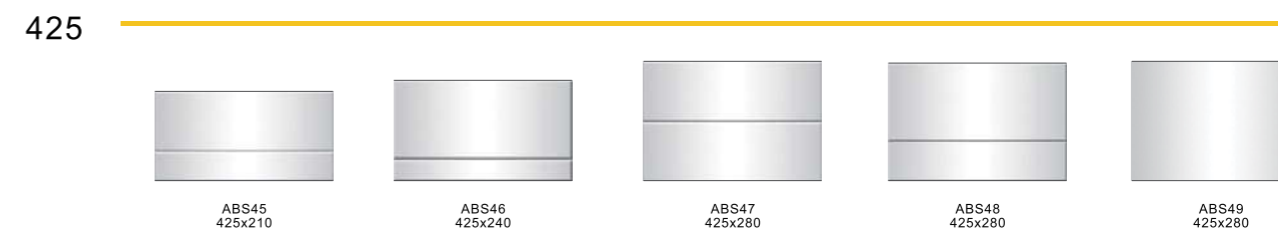
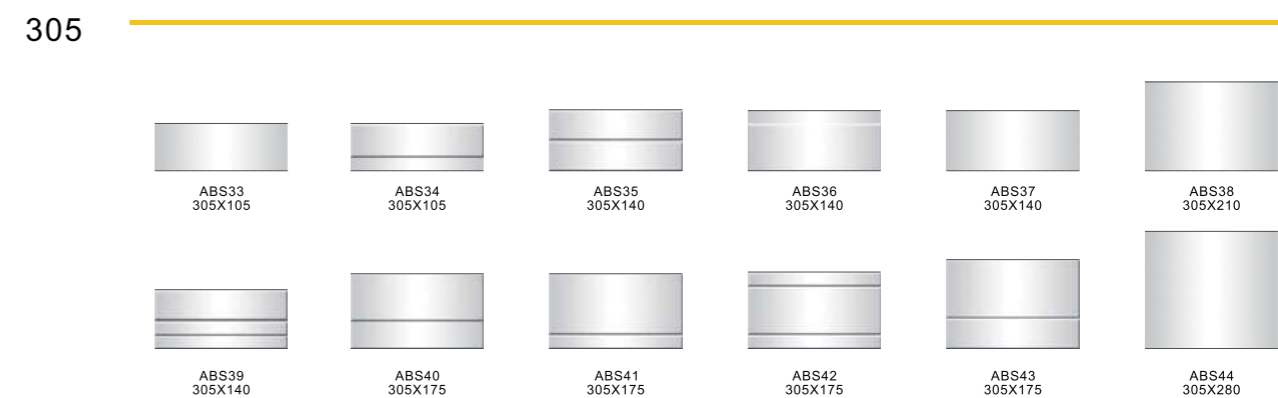
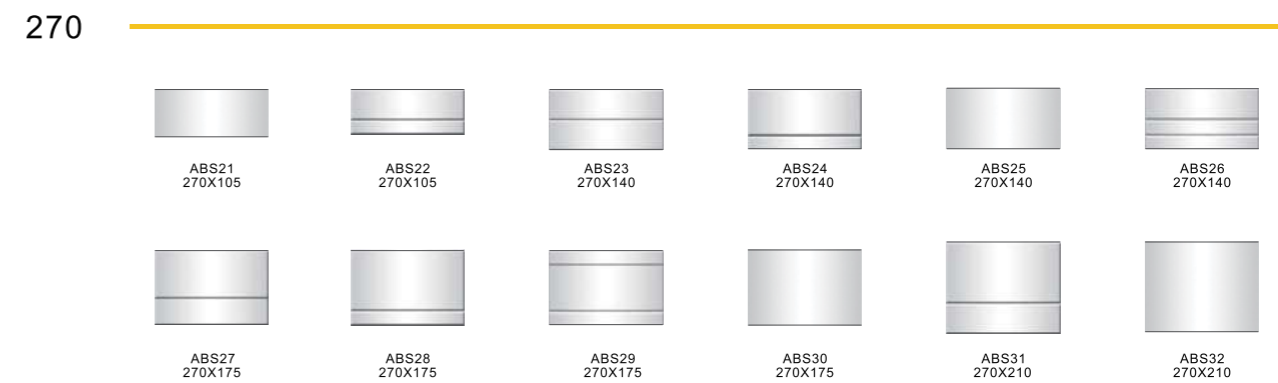
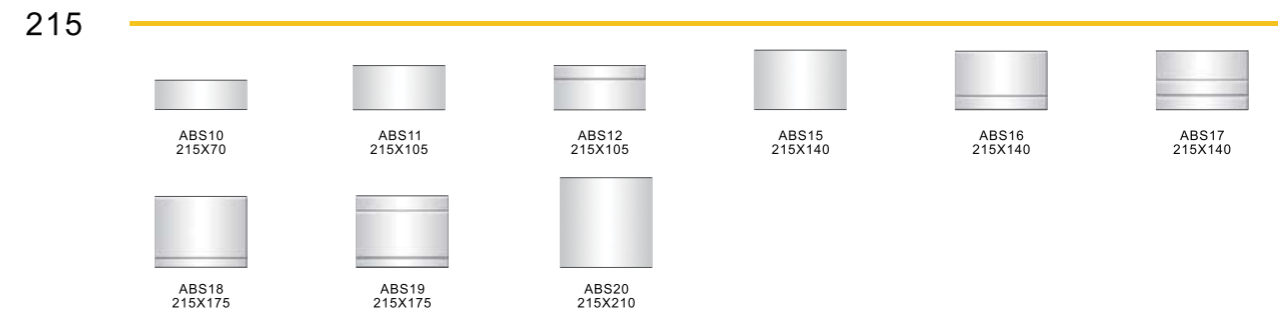
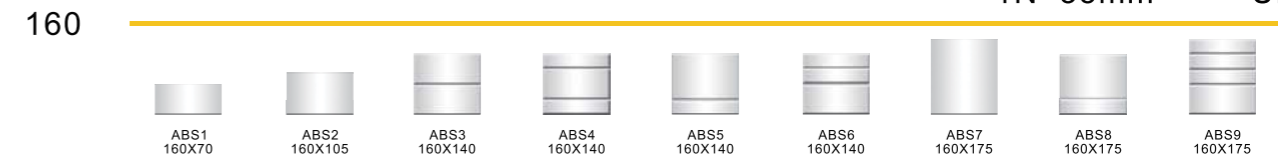


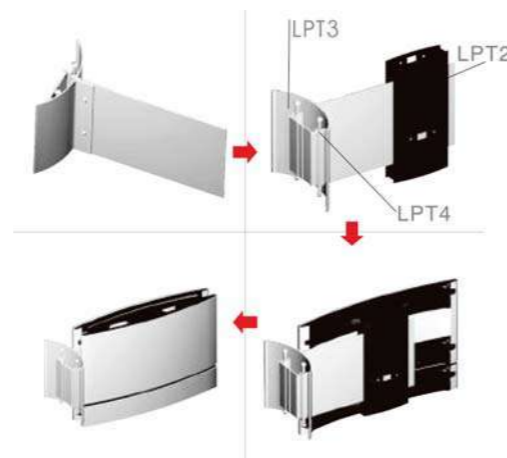
Projecting Signs

The projecting Signs are designed to accept standard size aluminium profiles.



1N=35mm Unit:mm

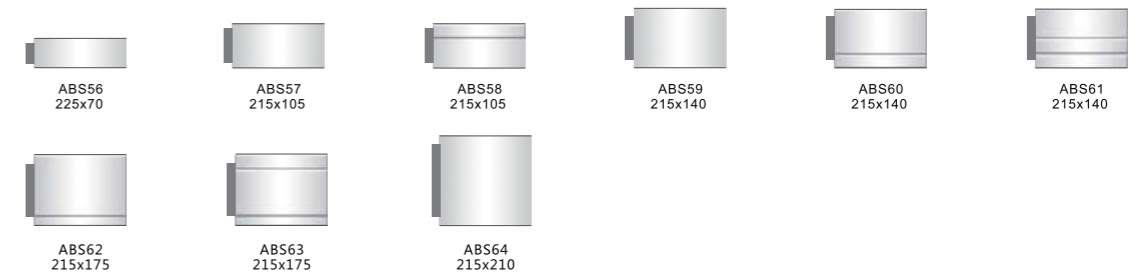




Double sides wall bracket sign

1N=35mm Unit:mm

215



225



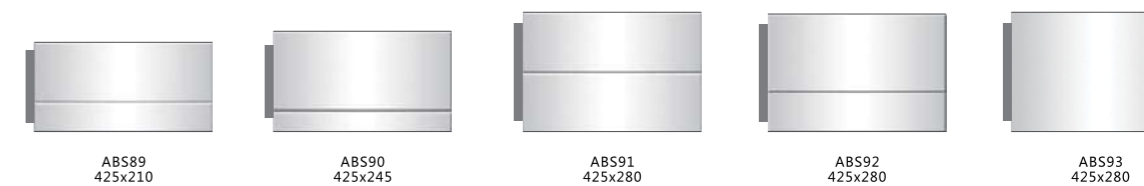
270



305



425

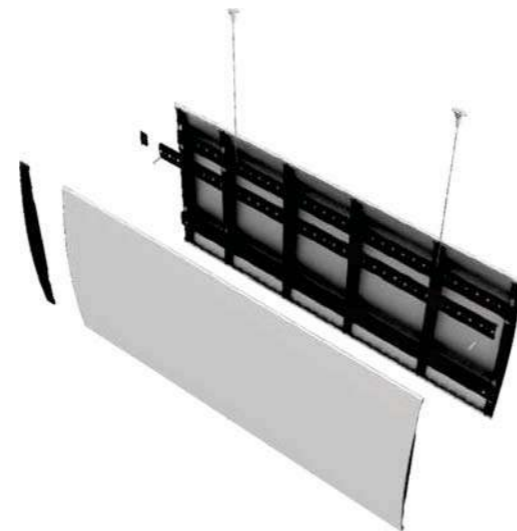




Suspended Signs

Aluminium face panel and plastic supporting bar are used with specially designed connectors.

Hanging sign boards, usually used for way finding and direction



1N=35mm Unit:mm

160



ABS94
160x735



ABS95
160x525

215

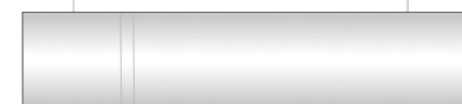


ABS96
215x735

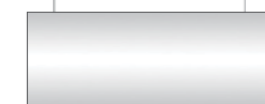


ABS97
215x560

270



ABS98
270x1120



ABS99
270x560

305



ABS100
305x840



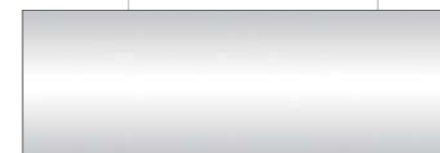
ABS101
305x1050

425



ABS102
425x1715

530



ABS103
530x1085



ABS104
530x1120



Integral construction		Local construction		Integral construction	
Stereo picture		Flank construction		Stereogram	
Faceplate of Aluminium Material		Bottom Stereogram		Fine-tuning screw	
Width of the Aluminum panel: Modular specification.				Connector	
				The camber-like stand brand has precise and solid interior structure. Double-end joint connects two aluminum panels while single-end joint strengthens supporting aluminum panels for uniform and solid surface radian. Both joints use micro adjustment clearance. The interior materials match perfectly. Scientific and precise design makes the free assembling of panels with different width and modular possible.	
Top cover introduction		Chassises introduction			
Top Stereogram					
		The stand arc brands use high elastic and quality aluminum alloy panels and curved supporting bars with modulus specification. The radian of the brand adopts people-friendly visual design. The elegant outlook and special attraction.			
Chassis		Circular Chassis		Bottom stereogram	
The material adopt high grade steel plates ,they were gotten into given shape by cut ,then, grinding ,finally, painting, special shape may be made on basis of the customer's requests.					
Circular Chassis		Bottom stereogram		Olive-shaped Chassis	
Rectangle Chassis		Bottom stereogram		Double layer Chassic	
Rubber Cushions					

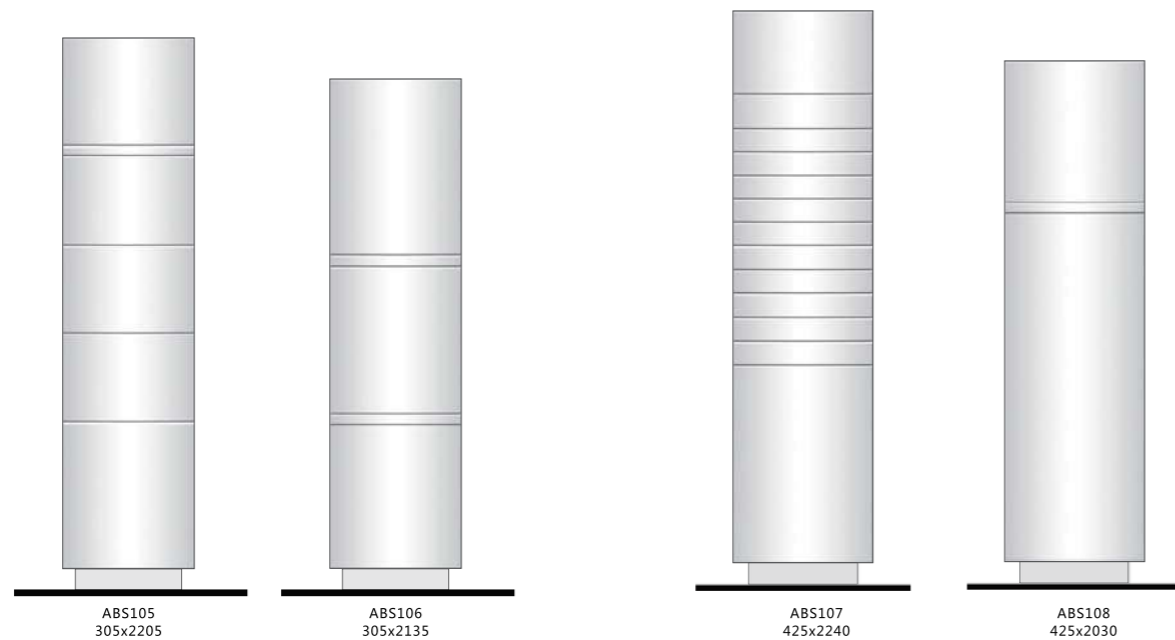


Double sides free standing signs

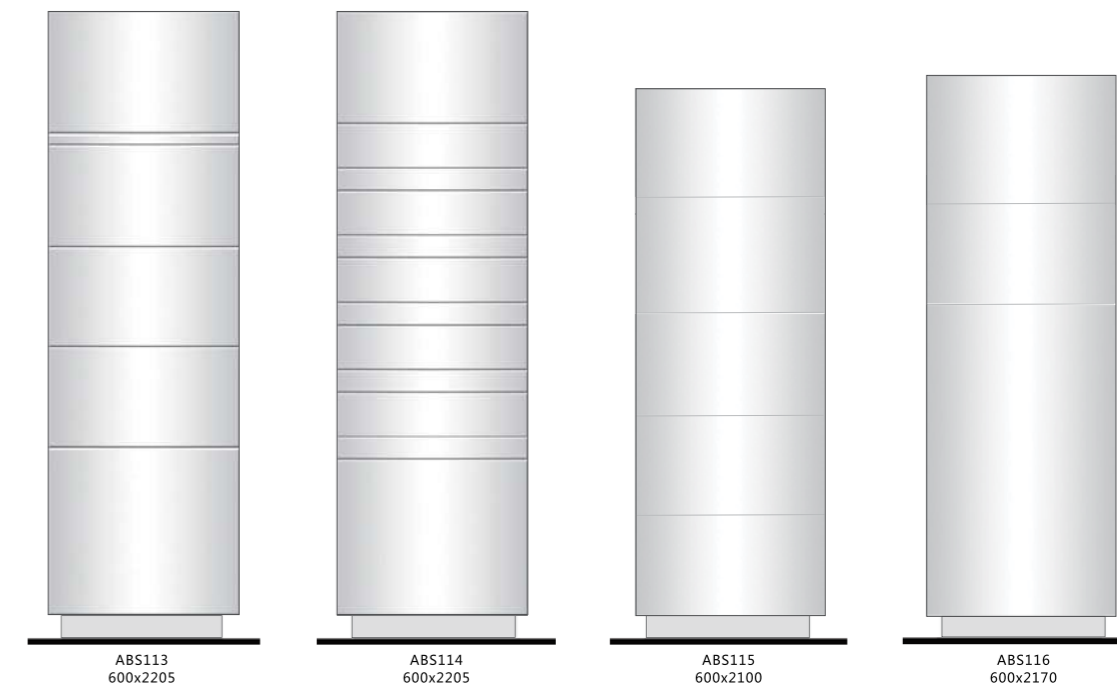
Pylons are using standard extrusions and components, custom designs are cost effective.

It is easy to assemble. Steel base are available for both permanent and portable applications.

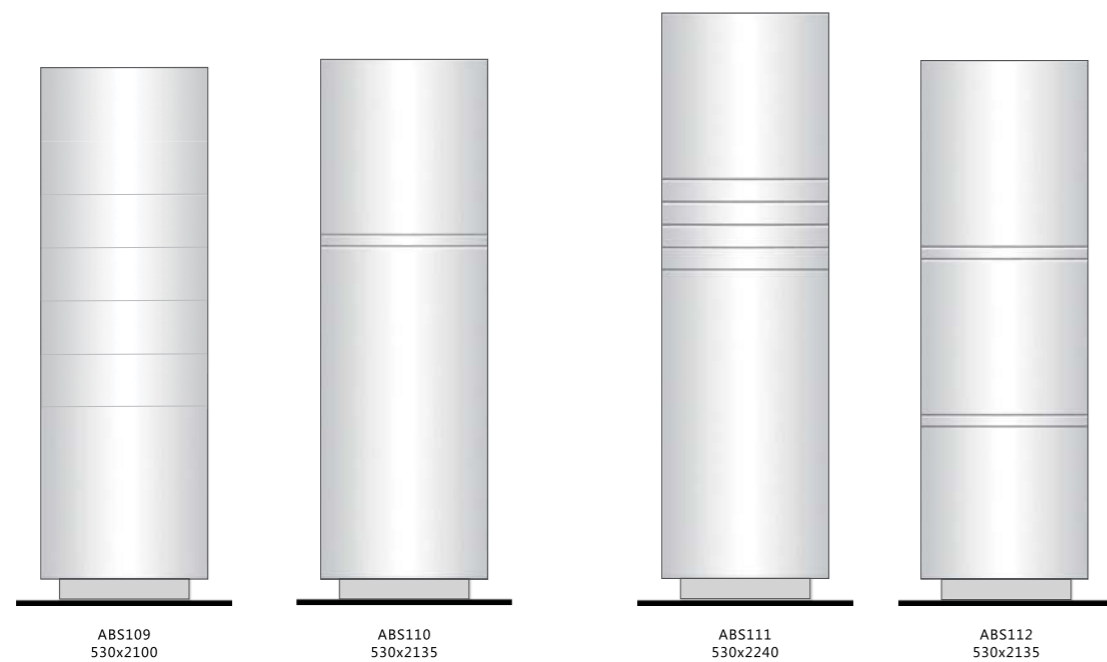
305mm 425mm 1N=35mm Unit:mm



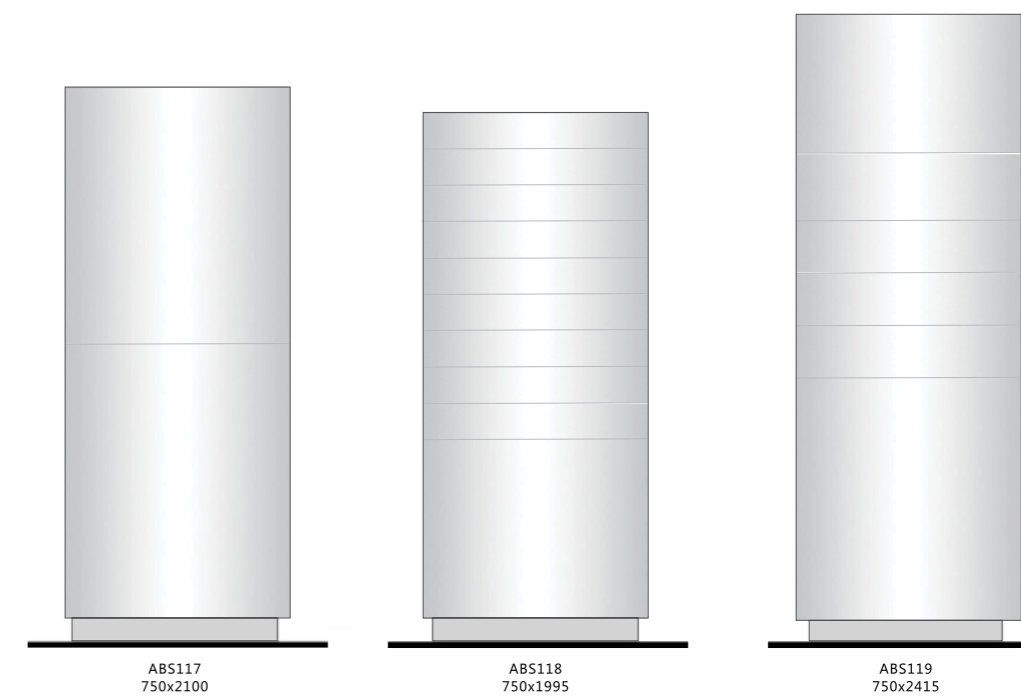
600mm 1N=35mm Unit:mm



530mm



750mm



Poster-Board • CR-10H

TIP: Standard 32mm profile, plastic corner

Size: A1
 Graphic Size: 2-59.4*84.1cm (A1)
 Packing Size: 77*7.5*105cm
 PC/CTN: 1PCS
 N.W: 11.7kgs
 G.W: 13.7kgs



Poster-Board • CR-10H2

TIP: Standard 45mm profile, plastic corner

Size: 71.12*111.76cm
 Graphic Size: 2-71.12*111.76cm
 Packing Size: 92*9*138.5cm
 PC/CTN: 1PCS
 N.W: 16.5kgs
 G.W: 19.0kgs



CR-10-DM32-A

Size: A1
 Graphic Size: 2-59.4*84.1cm(A1)
 Packing Size: 123*13*68cm
 PC/CTN: 1pcs
 N.W: 7.2kgs



CR-10A

Size: A1
 Graphic Size: 2-59.4*84.1cm(A1)
 120621pcs
 Packing Size: 150*13*68cm
 PC/CTN: 1pcs
 N.W: 12.4kgs
 G.W: 14.0kgs

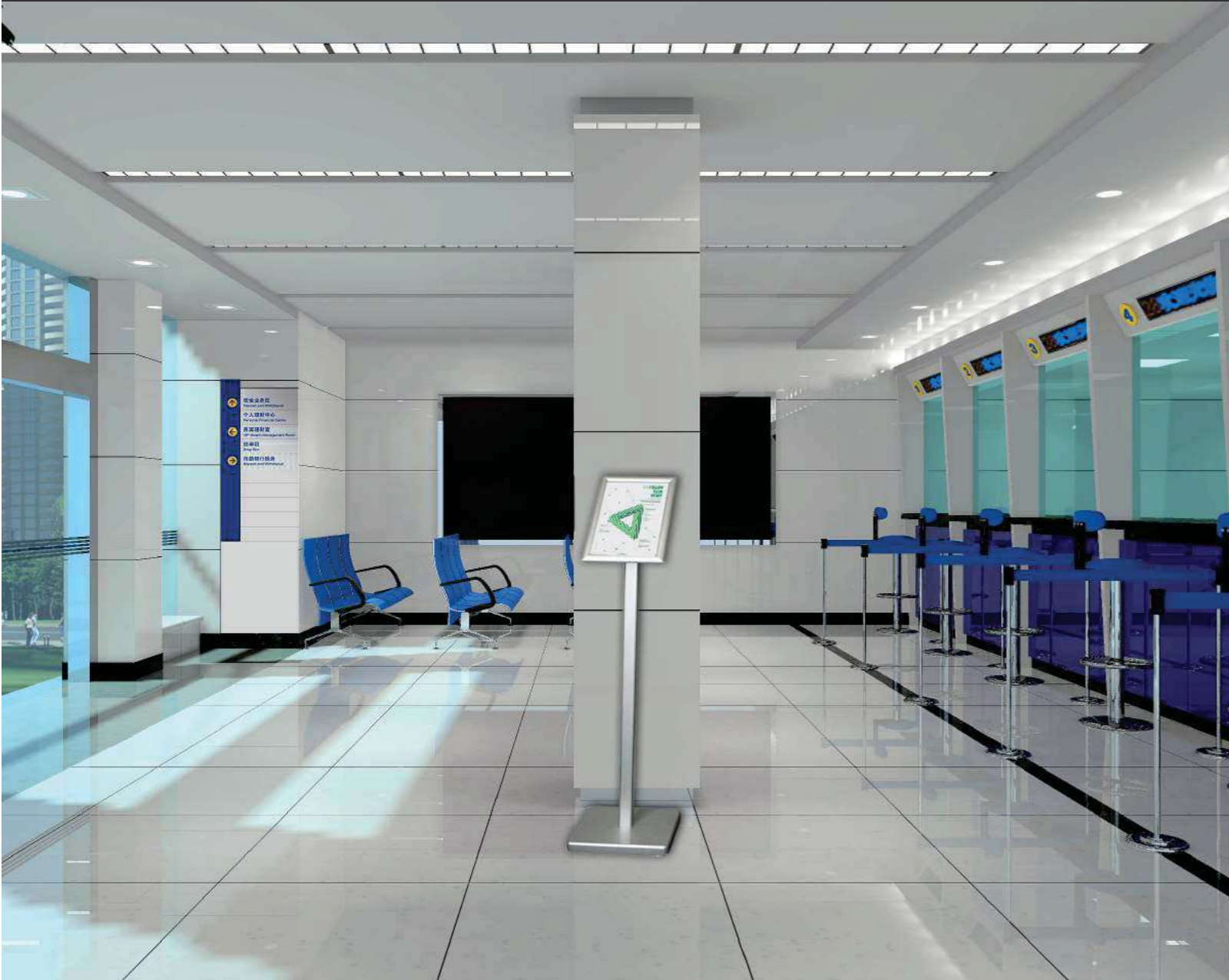
CR-10-DR32-A

Size: A1
 Graphic Size: 2-59.4*84.1cm(A1)
 Packing Size: 123*13*68cm
 PC/CTN: 1pcs
 N.W: 7.2kgs

Poster-Board

TIP: Single sided poster is also available

Free standing



CR-13B1

Size: A4
 Graphic Size: 21*29.7cm(A4)
 Packing Size: 106*36*42cm
 PC/CTN: 8pcs
 N.W: 4.0kgs
 G.W: 38.5kgs



CR-13B2

Size: A4
 Graphic Size: 21*29.7cm(A4)
 Packing Size: 106*36*42cm
 PC/CTN: 6pcs
 N.W: 3.2kgs
 G.W: 21.8kgs



CR-13B4

Size: A4
 Graphic Size: 21*29.7cm(A4)
 Packing Size: 38*25*125cm
 PC/CTN: 6pcs
 N.W: 3.3kgs
 G.W: 22.5kgs



CR-13C

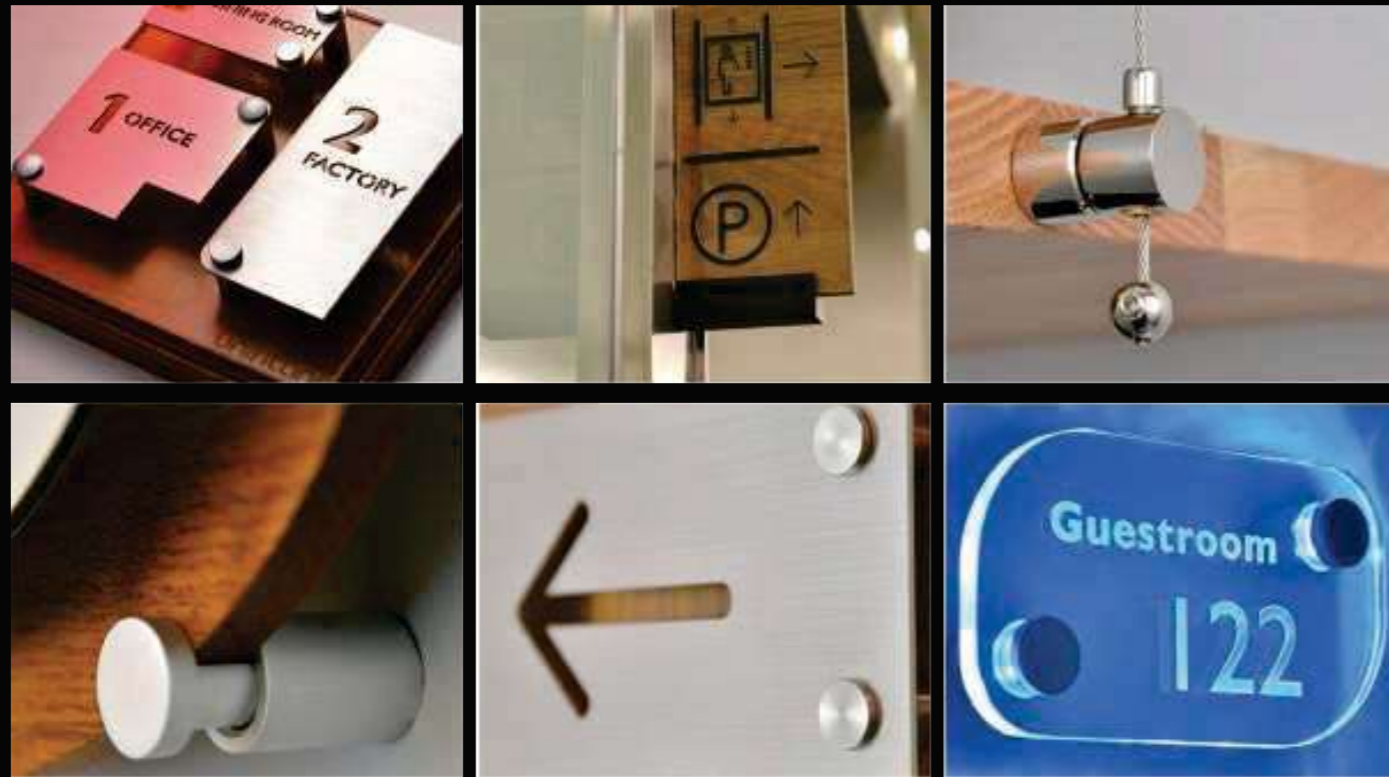
Size: A4
 Graphic Size: 3-A4
 Packing Size: 126*43*48cm
 PC/CTN: 8pcs
 N.W: 4.3kgs
 G.W: 41.5kgs

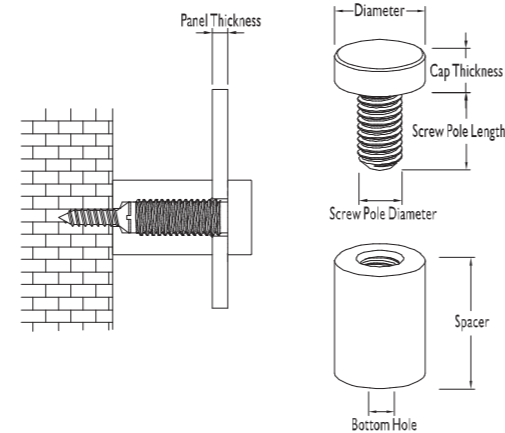


CR-10E

Size: B2
 Graphic Size: 2-50*70cm(B2)
 Packing Size: 165*9*71cm
 PC/CTN: 1pcs
 N.W: 11.0kgs
 G.W: 12.5kgs

SIGNAGE MOUNTINGS





SA Series – Aluminium Dome Top Sign Standoffs

Description:

Dome Top Sign Standoffs is a elegant design standoffs made of aircraft-grade aluminium . **There are two finish** : satin & polished mirror . The two finish can be durable to most environments .

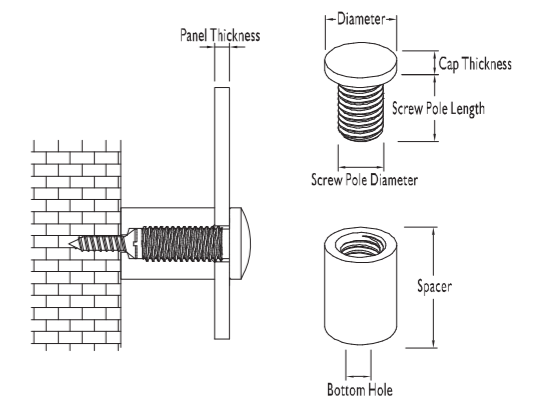
Product Details

Available colors: ST-Satin , PM-Polished Mirror (Customer color can be ordered by MOQ order)

Standard packing: each pc in polybag, 12-100 pcs in box, 6 boxes in carton

Optional Blister packing: 4 pcs standoffs, 1 bag of Screws & Anchors(4 pcs each)

Optional parts(NOT included in standard package):Washers, Screws & Anchors



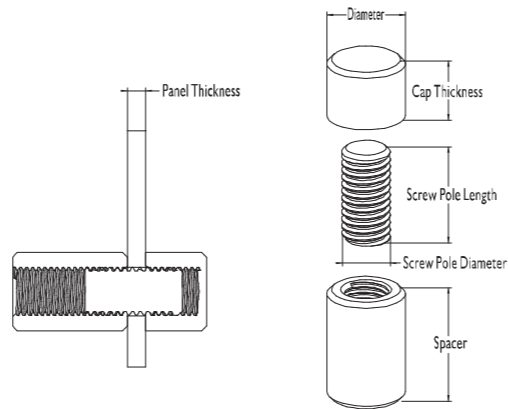
Data sheet

Item No.	Diameter	Cap Thickness	Spacer	Screw Pole Size	Bottom Hole Size	Max Panel Thickness
CA-1313-ST/CP/SS/GL/GD/BK/BL/RD	13mm	4mm	13mm	Dia. 8mm L12mm	4.2mm	6mm
CA-1319-ST/CP/SS/GL/GD/BK/BL/RD	13mm	4mm	19mm	Dia. 8mm L12mm	4.2mm	8mm
CA-1325-ST/CP/SS/GL/GD/BK/BL/RD	13mm	4mm	25mm	Dia. 8mm L22.5mm	4.2mm	12mm
CA-1520-ST/CP/SS/GL/GD/BK/BL/RD	15mm	4mm	20mm	Dia. 8mm L17.5mm	4.2mm	8mm
CA-1525-ST/CP/SS/GL/GD/BK/BL/RD	15mm	4mm	25mm	Dia. 10mm L22.5mm	4.2mm	12mm
CA-1919-ST/CP/SS/GL/GD/BK/BL/RD	19mm	6mm	19mm	Dia. 10mm L16.5mm	5mm	8mm
CA-1925-ST/CP/SS/GL/GD/BK/BL/RD	19mm	6mm	25mm	Dia. 10mm L22.5mm	5mm	12mm
CA-2519-ST/CP/SS/GL/GD/BK/BL/RD	25mm	6mm	19mm	Dia. 10mm L16.5mm	5mm	8mm
CA-2525-ST/CP/SS/GL/GD/BK/BL/RD	25mm	6mm	25mm	Dia. 10mm L22.5mm	5mm	12mm

Data sheet

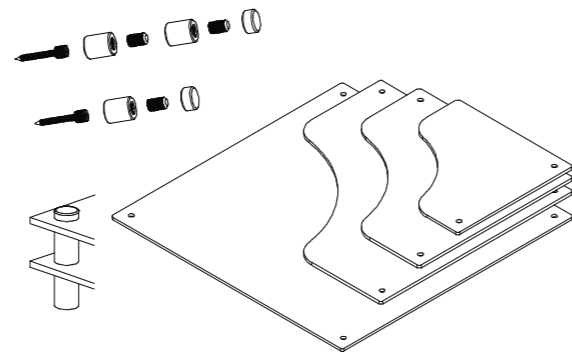
Item No.	Diameter	Cap Thickness	Spacer	Screw Pole Size	Bottom Hole Size	Max Panel Thickness
SA-1616-ST / PM	16mm	4.5mm	16mm	Dia. 10mm L12mm	5mm	8mm
SA-1625-ST / PM	16mm	4.5mm	25mm	Dia. 10mm L21mm	5mm	14mm
SA-1640-ST / PM	16mm	4.5mm	40mm	Dia. 10mm L30mm	5mm	22mm
SA-1925-ST / PM	19mm	5mm	25mm	Dia. 12mm L19mm	5mm	12mm
SA-2525-ST / PM	25mm	5.5mm	25mm	Dia. 12mm L21mm	5mm	14mm
SA-2540-ST / PM	25mm	5.5mm	40mm	Dia. 12mm L30mm	5mm	22mm
SA-3225-ST / PM	32mm	7mm	25mm	Dia. 12mm L20mm	5mm	14mm





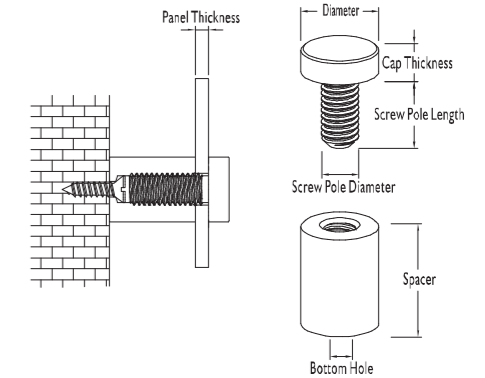
Aluminium Caps & Spacer Sign Standoffs

Caps & Spacer Sign Standoffs is joined by stainless steel 5/8 thread rod. The rod is in 8 mm diameters with different length. The caps can be installed separately without spacers. Or the caps can be installed with one or two spacers for multi-layer signage with the combination screws together.



Data sheet

Item No.	Diameter	Cap Thickness	Spacer	Screw Pole Size	Max Panel Thickness
CA-1619D	15.5mm	8mm	19mm	Dia. 8mm L12.5mm	8mm
CA-1625D	15.5mm	8mm	25.4mm	Dia. 8mm L19mm	12mm
CA-1650D	15.5mm	8mm	50.4mm	Dia. 8mm L25mm	14mm
CA-2225D	22.2mm	8mm	25.5mm	Dia. 8mm L25mm	12mm
CA-2251D	22.2mm	8mm	50.7mm	Dia. 10mm L25mm	14mm



CN Series – Brass Flat Top Sign Standoffs

Description:

The CN Series sign standoffs is made from high quality solid brass rod. The different finish is by high quality plating used for indoor usage. The substantive sense of the products give you more confidence.

Product Details

Available colors: CP-Polished Chrome, SS-Satin Silver, SC-Satin Chrome, BG-Polished Gold
Standard packing: each pc in polybag, 60-100 pcs in box, 4 boxes in carton
Optional Blister packing: 4 pcs standoffs, 1 bag of Screw & Anchors(4 pcs each)
Optional parts(NOT included in standard package):Washers, Screws & Anchors



Polished Chrome (CP)



Satin Chrome (SC)



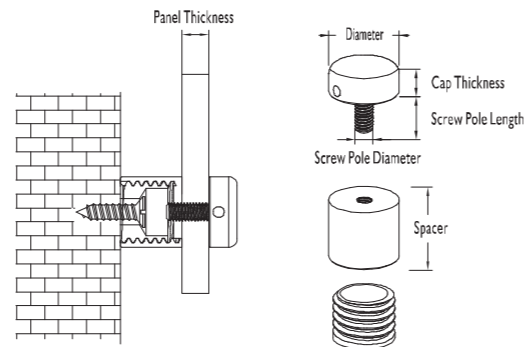
Polished Gold (BG)



Satin Silver (SS)

Data sheet

Item No.	Diameter	Cap Thickness	Spacer	Screw Pole Size	Bottom Hole Size	Max Panel Thickness
CN-1313	13mm	4mm	13mm	Dia. 8mm L12mm	4mm	6mm
CN-1319	13mm	4mm	19mm	Dia. 8mm L16.5mm	4mm	10mm
CN-1325	13mm	4mm	25mm	Dia. 8mm L22.5mm	4mm	12mm
CN-1340	13mm	4mm	40mm	Dia. 8mm L35mm	4mm	24mm
CN-1919	19mm	6mm	19mm	Dia. 10mm L16.5mm	5mm	8mm
CN-1925	19mm	6mm	25mm	Dia. 10mm L22.5mm	5mm	12mm
CN-2519	25mm	6mm	19mm	Dia. 10mm L16.5mm	5mm	8mm
CN-2525	25mm	6mm	25mm	Dia. 10mm L22.5mm	5mm	12mm



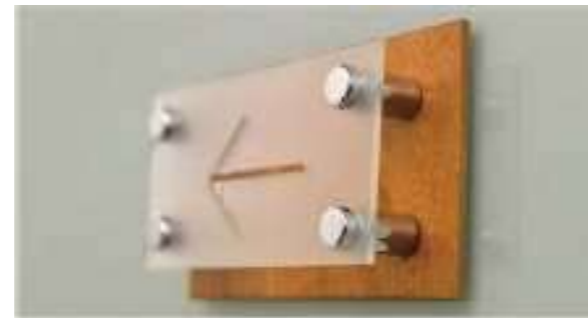
CR Series- Brass Flat Top Sign Standoffs with Locator

Description:

The CR series sign standoffs is made from high quality solid brass rod . The CR design is elegant with round edge on the cap. There is a small hole on the cap for secure use . There is a locator at the bottom of the spacer .It's easy for installing the standoffs .

Product Details

Available colors: CP-Polished Chrome, SS-Satin Silver
Standard packing: each pc in polybag, 24-60 pcs in box, 4 boxes in carton
Optional parts(NOT included in standard package):Screws & Anchors



Data sheet

Item No.	Diameter	Cap Thickness	Spacer	Pole Size	Locator Size	Bottom Hole Size	Max Panel Thickness
CR-1614-CP/SS	16mm	5.5mm	14mm	Dia.4mmxL.8.5mm	Dia.14mmL.10mm	6mm	6mm
CR-1625-CP/SS	16mm	5.5mm	25mm	Dia.4mmxL.16mm	Dia.14mmL.10mm	6mm	12mm
CR-2525-CP/SS	25mm	5.5mm	25mm	Dia.8mmxL.20mm	Dia.14mmL.10mm	6mm	12mm
CR-2550-CP/SS	25mm	5.5mm	50mm	Dia.8mmxL.20mm	Dia.14mmL.10mm	6mm	20mm



New Polygonal Brass Standoffs

Description:

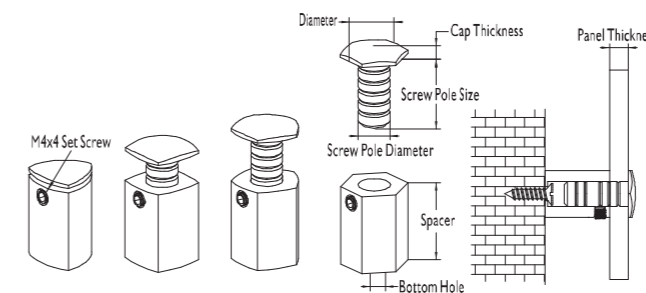
A unique Polygonal design with triangle , quadrilateral , pentagon ,hexagon shape . It's made from high quality brass materials . Use a side set screw to fix the bolt .

Product Details

Available colors: CP-Polished Chrome, SS-Satin Silver, AB-Antique Brass, BG-Polished Gold
Standard packing: each pc in polybag, 60 pcs in box, 4 boxes in carton
Optional parts(NOT included in standard package):Screws & Anchors, 2mm Allen Key



Polished Chrome(CP) Satin silver(SS) Antique Brass (AB) Polished Gold (BG)

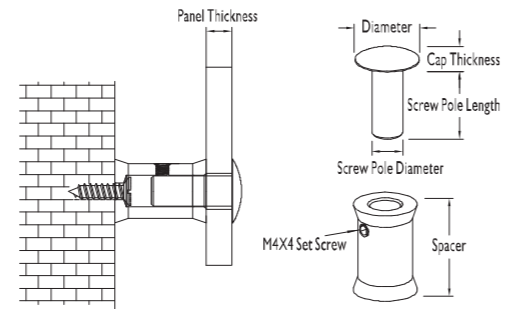


Data sheet

Item No.	Shape	Cap Thickness	Spacer	Pole Size	Bottom Hole Size	Max Panel Thickness
CN-P3-CP/SS/AB/BG	Triangle	2.4mm	21mm	Dia.8mm.L18.7mm	4.5mm	12mm
CN-P4-CP/SS/AB/BG	Quadrangle	2.4mm	21mm	Dia.8mm.L18.7mm	4.5mm	12mm
CN-P5-CP/SS/AB/BG	Pentagon	2.4mm	21mm	Dia.8mm.L18.7mm	4.5mm	12mm
CN-P6-CP/SS/AB/BG	Hexagon	2.4mm	21mm	Dia.8mm.L18.7mm	4.5mm	12mm



Polished Chrome (CP) Saitin silver (SS) Polished Gold (BG)



Data sheet

Item No.	Diameter	Cap Thickness	Spacer	Screw Pole Size	Hex Screw	Bottom Hole Size	Max Panel Thickness
CH-1623-CP/SS/BG	16mm	2.5mm	23mm	Dia.8mm x L20mm	M4	5mm	12mm
CH-2327-CP/SS/BG	23mm	2mm	27mm	Dia.8mm x L24mm	M4	5mm	14mm

CH Series- Brass Dome Top Sign Standoffs with lateral lock

Description:

The CH Series is a special design with lateral lock system for anti-theft function. The head of the standoffs is in a elegant dome shape . It's made from high quality brass by forge technology .

Product Details

Available colors: CP-Polished Chrome, SS-Satin Silver, BG-Polished Gold
Standard packing: each pc in polybag, 40-60 pcs in box, 4 boxes in carton
Optional parts(NOT included in standard package):Screws & Anchors, 2mm Allen key



Polished Chrome (CP)



Saitin Chrome (SC)



Polished Gold (BG)

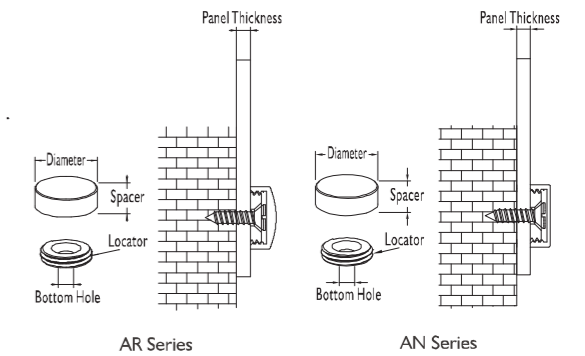
AN&AR Series-Brass Mirror Cap

Description:

AN & AR Series is a simple and good looking mirror cap . It's made from high quality brass . AN is flat top design . AR is dome top design .

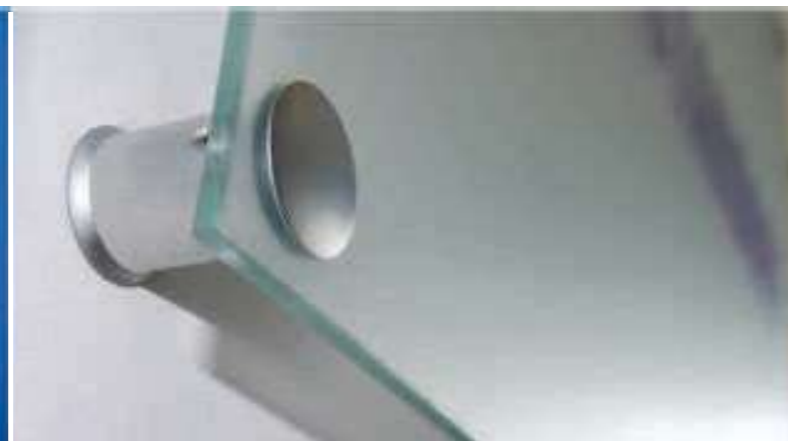
Product Details

Available colors: CP-Polished Chrome, SC-Satin Chrome, BG-Polished Gold
Standard packing: each pc in polybag, 100 pcs in box, 4 boxes in carton
Optional parts(NOT included in standard package):Screws & Anchors



Data sheet

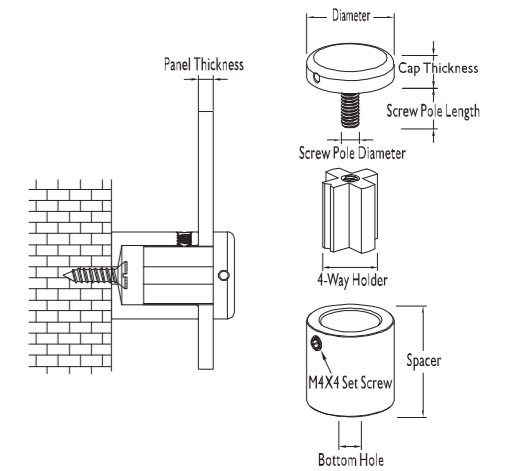
Item No.	Diameter	Height	Locator Size	Bottom Hole Size
AN-10-CP/SC/BG	10mm	6mm	Dia.7mm L3.5mm	3.5mm
AN-12-CP/SC/BG	12mm	6mm	Dia.10mm L3.5mm	5mm
AN-15-CP/SC/BG	15mm	6mm	Dia.12mm L3.5mm	5mm
AN-19-CP/SC/BG	19mm	6mm	Dia.16mm L3.5mm	5mm
AN-25-CP/SC/BG	25mm	6mm	Dia.22mm L3.5mm	5mm
AR-10-CP/SC/BG	10mm	6.7mm	Dia.7mm L3.5mm	3.5mm
AR-15-CP/SC/BG	12mm	6.7mm	Dia.12mm L3.5mm	5mm
AR-19-CP/SC/BG	15mm	6.7mm	Dia.16mm L3.5mm	5mm
AR-25-CP/SC/BG	19mm	6.7mm	Dia.22mm L3.5mm	5mm





Data sheet

Item No.	Diameter	Spacer	Max Panel Thickness
C-2537-ST	25mm	37mm	8mm
C-3037-ST	30mm	37mm	8mm
C-1619A-ST	16mm	19mm	6mm
C-1925A-ST	19mm	25mm	9mm
C-2035-ST	20mm	35mm	11mm
C-2525-ST	25mm	25mm	10mm

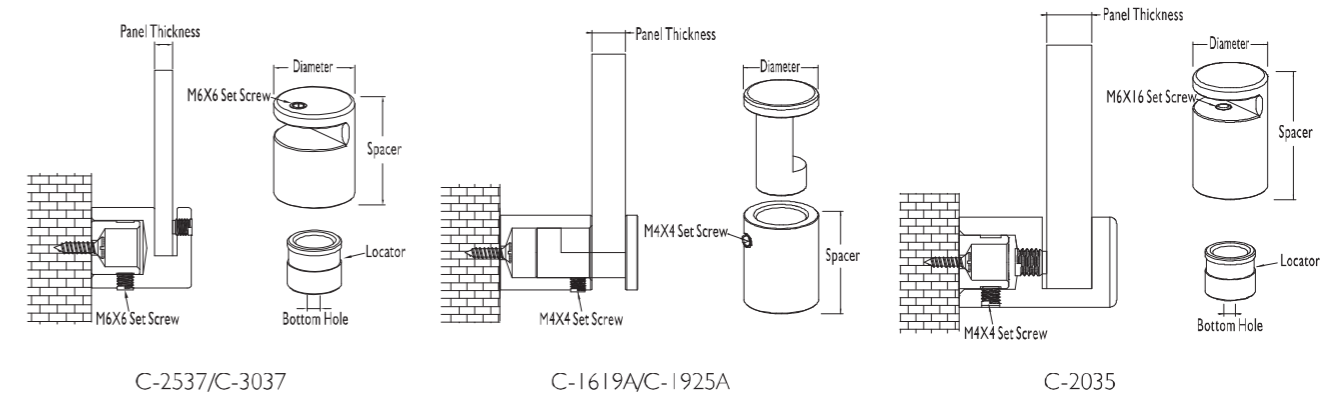


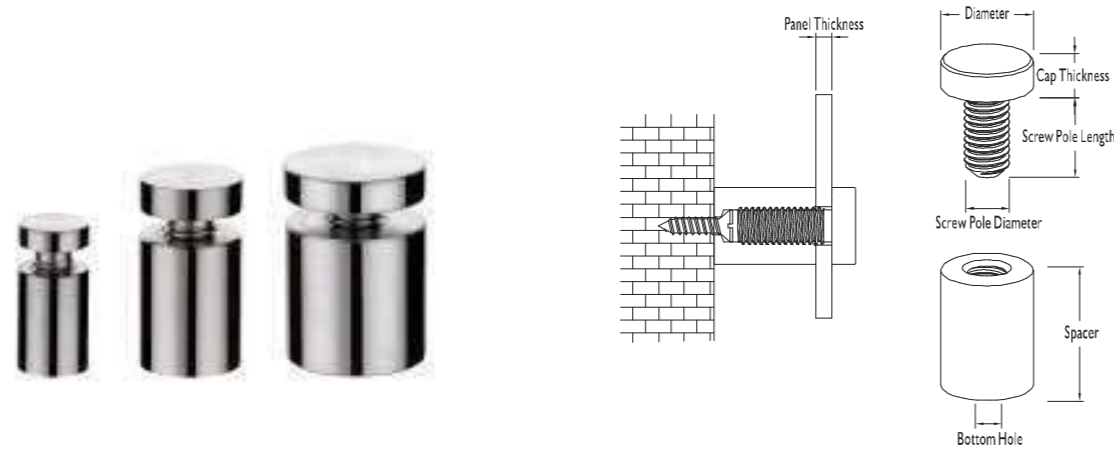
C-2525

C-Series - Aluminum Side Clamp & 4 Way Standoffs

Description:
C-Series standoff is a few different design with one common feature : no need to drill holes on panel. It's made of aircraft-grade aluminium in satin finish .

Product Details
Available colors: ST-Satin (Other color can be ordered by MOQ orders)
Standard packing: each pc in polybag, 16-60 pcs in box, 6 boxes in carton
Optional parts (NOT included in standard package): Screws & Anchors, 2mm Allen Key





SS Series – Stainless Steel Flat Top Sign Standoffs

Description:
SS Seires sign standoffs is made of high quality 304 grade stainless steel for outdoor use.

Product Details
Standard packing: each pc in polybag, 40-100 pcs in box, 4 boxes in carton
Optional Blister packing: 4 pcs standoffs, 1 bag of Screw & Anchors(4 pcs each)
Optional parts(NOT included in standard package):Washers, Screws & Anchors

Data sheet

Item No.	Diameter	Cap Thickness	Spacer	Screw Pole Size	Bottom Hole Size	Max Panel Thickness
SS-1319-NA	13mm	4mm	19mm	Dia. 8mm x L18mm	4.2mm	8mm
SS-1925-NA	19mm	6mm	25mm	Dia. 10mm x L23mm	5mm	14mm
SS-2525-NA	25mm	6mm	25mm	Dia. 10mm x L23mm	5mm	14mm



Stainless Steel Lateral Lock Standoffs

Description:
The stainless steel lateral lock standoffs is a patented design used for anti-thief function. It's made of high quality 304 grade stainless steel used for outdoor .

Product Details
Standard packing: each pc in polybag, 60-100 pcs in box, 4 boxes in carton
Optional parts(NOT included in standard package):Screws & Anchors, 2mm Allen key



Data sheet

Item No.	Diameter	Spacer	Cap Thickness	Screw Pole Size	Bottom Hole Size	Max Panel Thickness	Set Screw
SS-1320-NA	13mm	20mm	1mm	Dia. 8mm x L22mm	4.2mm	8mm	M4 x 4
SS-1820-NA	18mm	20mm	1mm	Dia. 8mm x L22mm	4.2mm	8mm	M4 x 6





BLACK



SATIN



GUNGREY

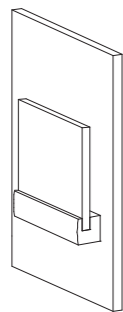
Aluminum Sign Clamps

Product Details

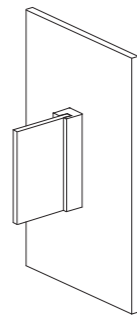
Available colors : ST-Satin, GU- Gun Grey , BK - Black (Customer color can be ordered by MOQ order)
Available length : 80mm, 120mm, 180mm, 280mm, 380mm (Customer size can be ordered by MOQ order)
Standard packing : each pc in polybag, 28-100 pcs in carton
Optional parts (Not included in standard package) : Screws & Anchors, 2mm Allen Key

Usage : (Please indicate the usage when order XC15 / 16)

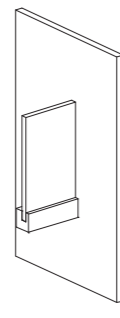
1. Surface (available in 80 mm , 120 mm , 180 mm , 280 mm , 380 mm or customer size)
2. Flag (available in 80 mm , 120 mm , 180 mm , 280 mm , 380 mm or customer size)
3. Vertical (available in 80 mm , 120 mm or customer size)
4. Tabletop (available in 80 mm , 120 mm or customer size)



surface



flag



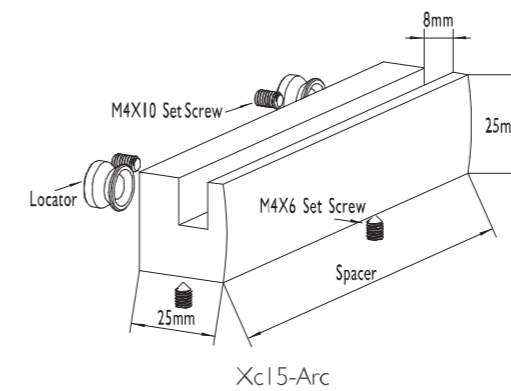
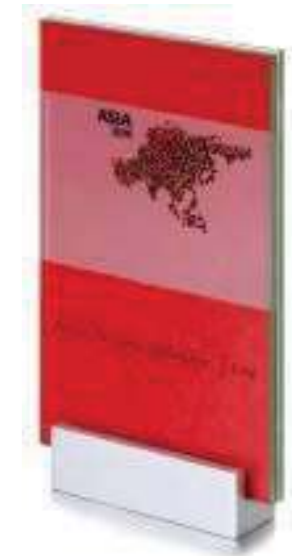
vertical



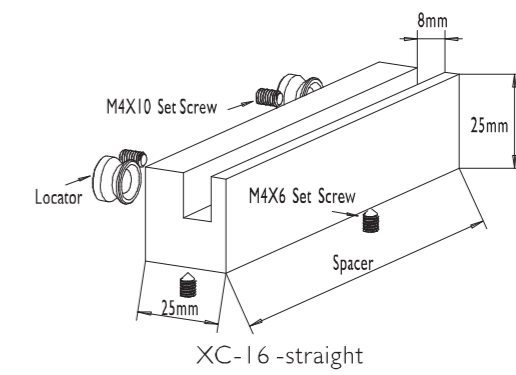
table top

Data sheet

Item No.	Length	Dimensions	Max Panel Thickness
XC15/16-80	80mm	25x25mm	8 mm
XC15/16-120	120mm	25x25mm	8 mm
XC15/16-180	180mm	25x25mm	8 mm
XC15/16-280	280mm	25x25mm	8 mm
XC15/16-380	380mm	25x25mm	8 mm



XC15-Arc



XC-16-straight



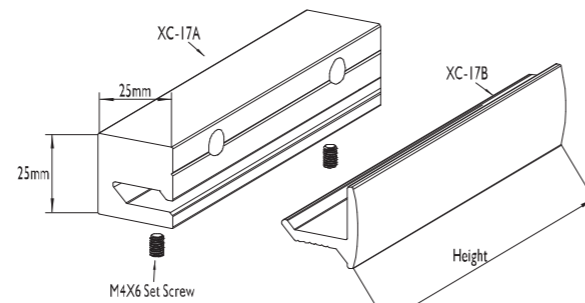


LED LUMINOUS SIGNAGE & LIGHTING



Data sheet

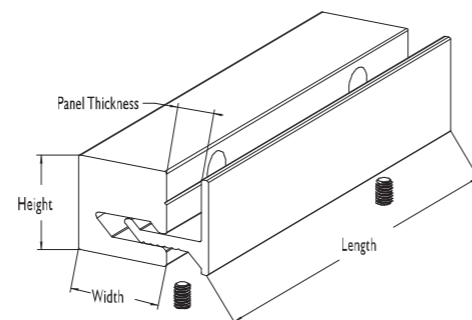
Item No.	Length	Dimensions	Max Panel Thickness
XC17-80	80mm	25x25mm	10 mm
XC17-120	120mm	25x25mm	10 mm
XC17-180	180mm	25x25mm	10 mm



XC17A+XC17B KIT

Data sheet

Item No.	Length	Dimensions	Max Panel Thickness
XC17C-80	80mm	25x25mm	10 mm
XC17C-120	120mm	25x25mm	10 mm
XC17C-180	180mm	25x25mm	10 mm



XC17A+XC17C KIT

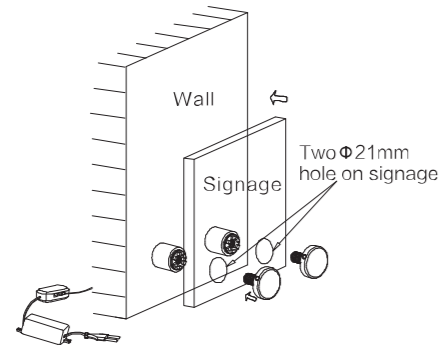


LED Sign Standoffs

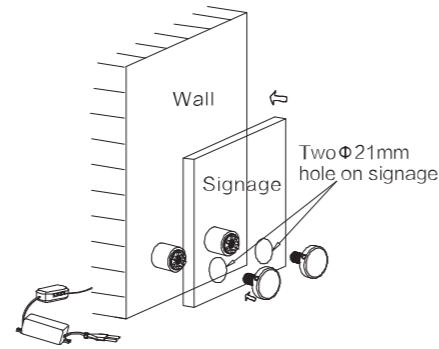
Description: A patented luminous LED sign standoff
Ideal to hold glass, acrylic or other panel as signage.

Product Details

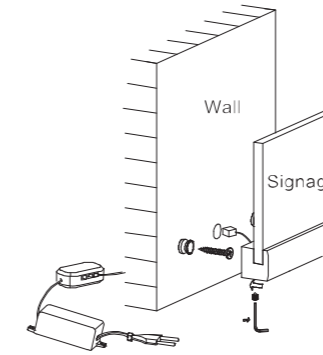
LED light: 12 Volt, White, Red, Blue, Green color .
Standard packing: each pc in polybag in box, 8 sets in carton
Optional parts (NOT included in standard package): Screws & Anchors



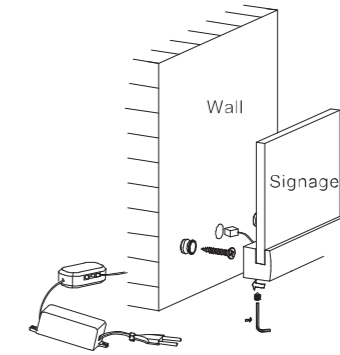
L-2525-2 (2 sign standoffs + 1 power)



L-2525-4 (4 sign standoffs + 1 power)



XC-80-1 (1 LED sign clamp + 1 power)



XC-80-2 (2 LED sign clamp + 1 power)

Data sheet

Name & Size (mm)	Item No.	Voltage(V)	Clamp Length	LED Color
LED Sign Clamp	XC-80-ST	12	80mm	W-White
	XC-120-ST	12	120mm	R-Red
	XC-180-ST	12	180mm	B-Blue
	XC-280-ST	12	280mm	G-Green
	XC-380-ST	12	380mm	



L-2525-2-B



L-2525-4-R

LED Sign Clamps

Description: A patented luminous LED sign clamp
No need to drill holes on panel
Ideal to hold glass, acrylic or other panel as signage.

Product Details

LED light: 12 Volt
Available length: 80mm, 120mm, 180mm, 280mm, 380mm
Standard packing: each pc in polybag in box, 5-8 pcs in carton
Optional parts (NOT included in standard package): Screws & Anchors, 2mm Allen Key



L-2525-2-W



L-2525-2-G



XC-80-1-R



XC-120-2-R

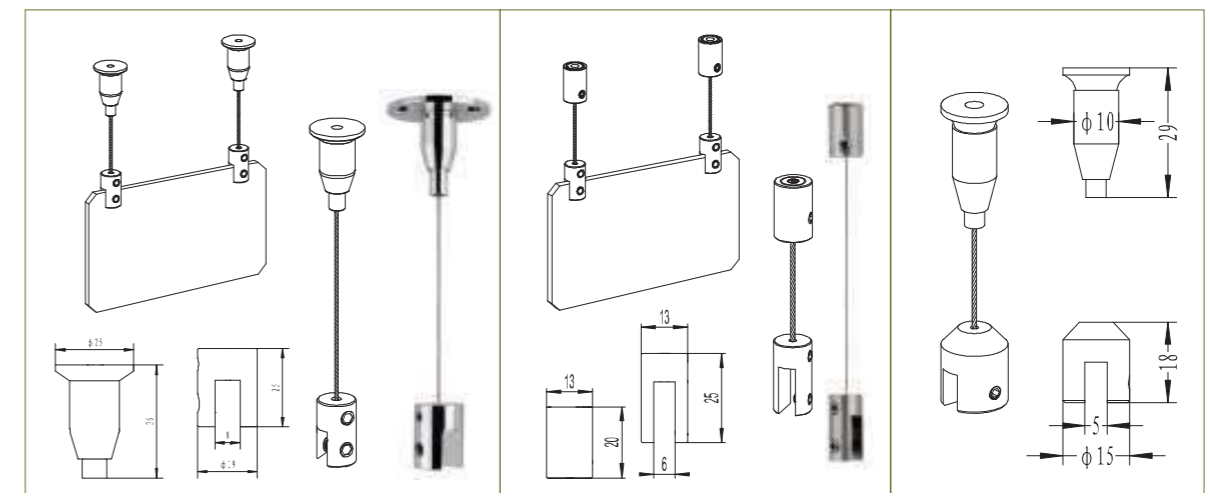
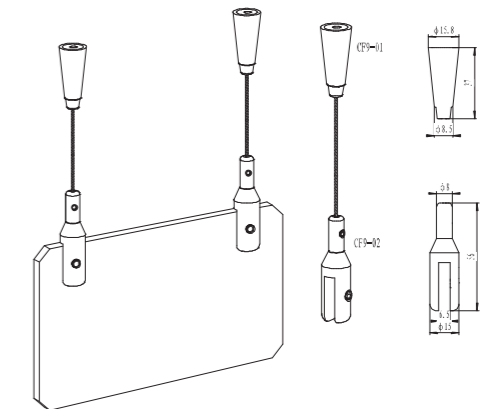


XC-80-1-B

CABLE & ROD DISPLAY AND SHELF



K Projects



Self Gripping Sign Hanger

Item No.	Cable	Material	Color
CF1B-KIT	1.5mm*1m cable	Brass	Satin Silver / Polished Chrome
BF05-KIT	1mm*1m cable	Brass	Polished Chrome

Sign Hanger

Item No.	Cable	Material	Color
CF9-KIT	1.5mm*1m cable	Aluminium / Brass	Satin / Polished Chrome
CF16-KIT	1.5mm*1m cable	Stainless Steel	Natural



Cable Display System

Cable display system is the ideal solution to hold posters, graphics, LED light boxes, etc. The almost invisible but strong 1.5mm diameter cables create a floating look of the posters. This system can be installed wall to wall, ceiling to floor or on track. It's widely use in estate agents, showrooms, museums, shop display etc.



Ceiling to Floor Display System

Item No.	Material	Finish	Size
A-CF6-ST4M	Aluminium Fitting	Anodized Satin (ST)	dia. 1.5mm, 4m length SS cable
A-CF6-CP4M	Aluminium Fitting	Polished Chrome (CP)	dia. 1.5mm, 4m length SS cable
XC04-ST-2M	Aluminium Fitting	Anodized Satin (ST)	2m length track



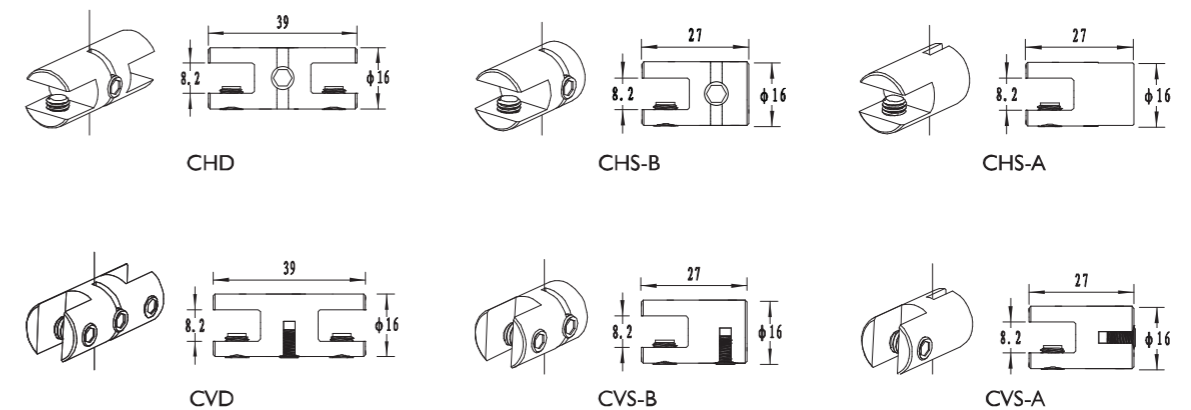
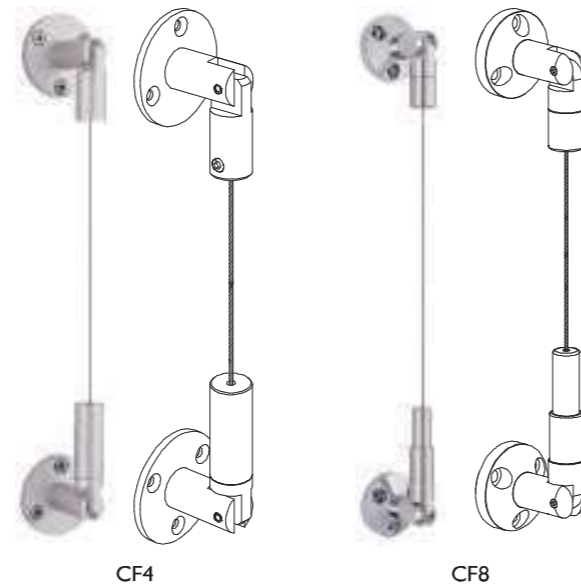
Wall to Wall Cable Display System

Cf4

Item No.	Material	Finish	Stainless Steel Cable
A-CF4-ST3M	Aluminium Fitting	Anodized Satin (ST)	1.5mm diameter, 3m length
A-CF4-CP3M	Aluminium Fitting	Polished Chrome (CP)	1.5mm diameter, 3m length

Cf8

Item No.	Material	Finish	Stainless Steel Cable
B-CF8-SS3M	Brass Fitting	Satin Silver (SS)	1.5mm diameter, 3m length
B-CF8-CP3M	Brass Fitting	Polished Chrome (CP)	1.5mm diameter, 3m length



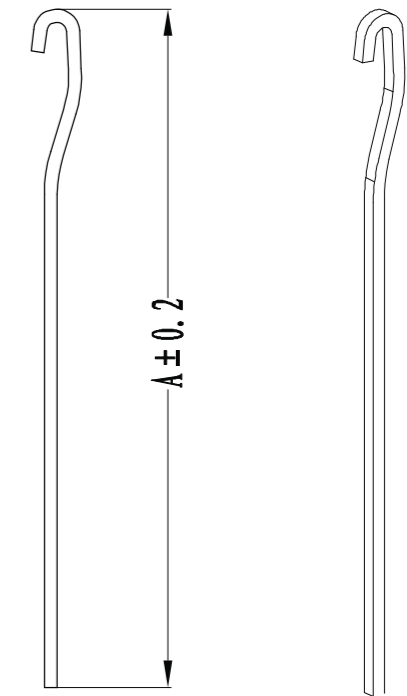
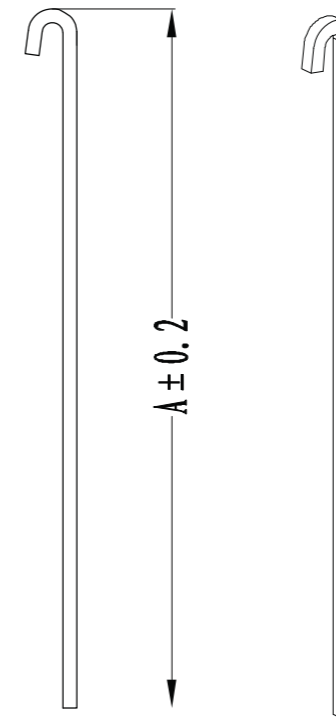
ROD HANGER & HOOK



K Projects

Rod Hanger

Item No.	Length	Material
R001-NA-61CM	61CM / 24inch	Stainless Steel
R001-NA-122CM	122cm / 48inch	
R001-NA-182CM	182cm / 72inch	
R002-NA-61CM	61CM / 24inch	Stainless Steel
R002-NA-122CM	122cm / 48inch	
R002-NA-182CM	182cm / 72inch	



ACRYLIC BLOCK FRAME

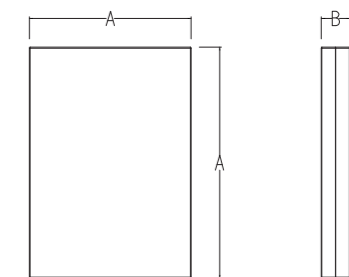
The Acrylic Block Frame

The block frame is the most commonly used acrylic frame. It is simple and easy to use. The magnetic sealed design makes it easy to change the photos.



Acrylic Block Frame

Item No.	Thickness	Image Size
LAF-0516	8mm+8mm	127mm*89mm
LAF-0616	8mm+8mm	152mm*102mm
LAF-0620	10mm+10mm	152mm*102mm
LAF-0720	10mm+10mm	127mm*178mm
LAF-0824	12mm+12mm	203mm*152mm
LAF-1030	15mm+15mm	254mm*203mm



The New "Pad" Photo Frame

This acrylic photo frame has a unique "Pad" look. It comes with round corner and black/white/silver frame.

Thanks to our genius designer, this frame has no visible fitting on the surface, and it can stand up both vertically and horizontally.

The magnetic sealed design makes it easy to change the photos.

Acrylic Block Frame

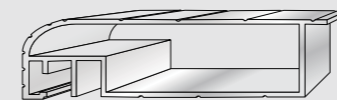


BILLBOARD



Non open type profile

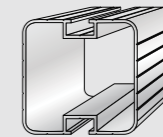
D90-2



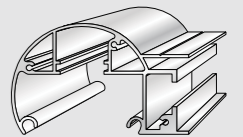
W03



HF70



D3001



STRUCTURE



Billboard is one kind of aluminium modular sign board .The aluminium frame can be open-type and non open. It is very easy to change the graphic .It is 5mm tempered glass or acrylic in the middle . It can be fixed indoor and outdoor ,we have two types ,one is free standing ,another is floor mounted .



Open type section



1. Sliding door type						
Serial number	Publicity column form	Material	Connect mode	Specifications		
1	Wall mounted with fascia	D70	45° angle corner	2000*1200	2200*1200	2400*1200
			Number	BUB01	BUB02	BUB03
		D90-2	45° angle corner	2000*1200	2400*1200	2600*1200
			Number	BUB11	BUB12	BUB13
2	Column type with fascia	D70	45° angle corner	2000*1200	2200*1200	2400*1200
			Number	BUB21	BUB22	BUB23
		D90-2	45° angle corner	2000*1200	2400*1200	2600*1200
			Number	BUB31	BUB32	BUB33
3	Wall mounted without fascia	D90-2/D90-3	45° angle corner	2000*1200	2400*1200	2600*1200
			Number	BUB41	BUB42	BUB43
4	Column type without fascia	D90-2/D90-3	45° angle corner	2000*1200	2400*1200	2600*1200
			Number	BUB51	BUB52	BUB53
2. Open type						
Serial number	Door open	Model	Material	Remark	Remark	Specifications
1	Front door open type	Wall mounted without fascia	D60	45° angle corner	Suitable for small	562*736 (4A4/2*2) 802*736 (6A4/2*3) 1042*736 (8A4/2*4)
						736*562 (4A4/2*2) 766*562 (6A4/2*3) 1063*802 (9A4/3*3)
				number		BUB61/BUB71 BUB62/BUB72 BUB63/BUB73

Profiles & accessories

Open type profile	
D60	
D60-1	
D60-1A	
D60-2	
D60-2A	
D60-2B	

Column profile	
HY130	
M302	
M402	
W01	
W02	
HF70	
HY70	
HY70-1	
M302C-1	
M302C-4	
D3001	
E294	

Non open type profile	
D70	
D70A	
D70-1	
D90-2	
D90-3	